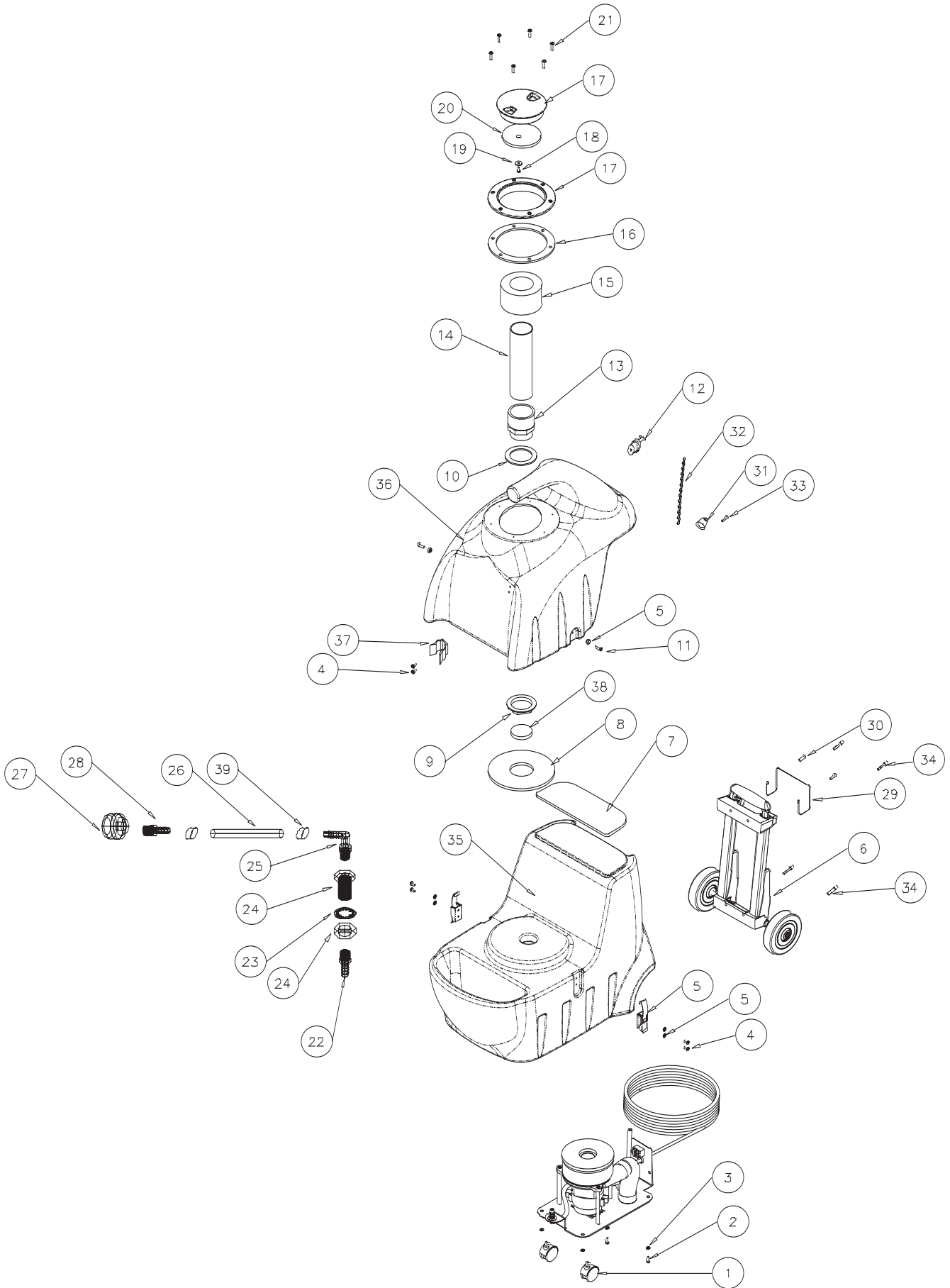


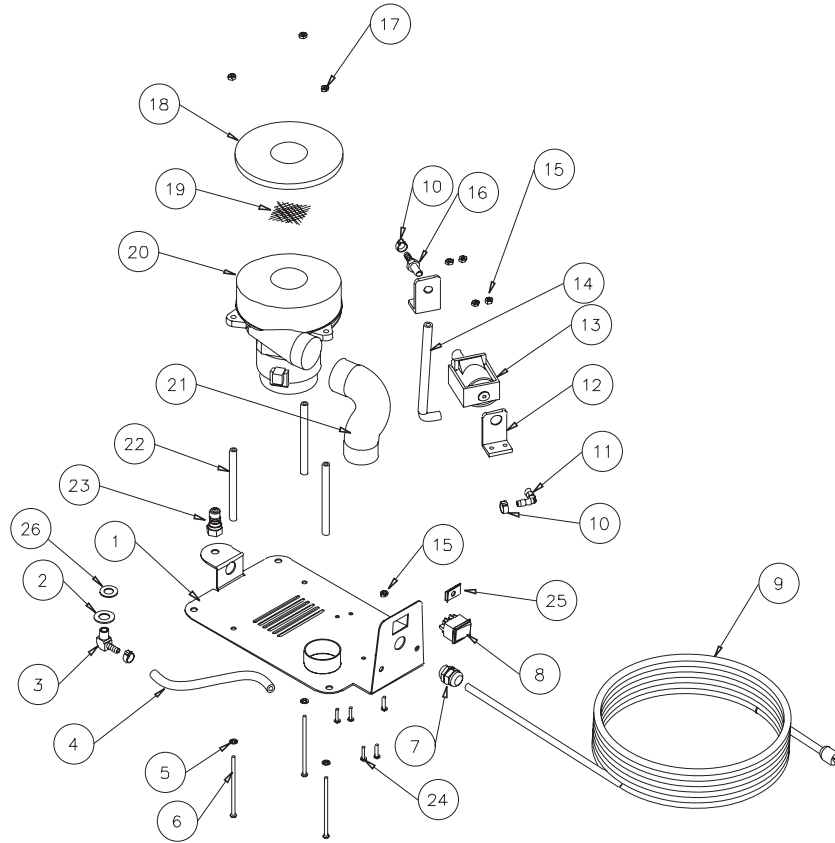
Parts Diagram



Parts List

ref. #	order #	description	ref. #	order #	description
1	X9047	CASTER SWIVEL 45MM	23	72115A	WASHER 5/8" X 1-3/16" NEOPRENE BOND
2	7BS003	SCREW 1/4-20 X 1/2" PHIL. STAINLESS STEEL	24	7AJ004	ANCHOR CONECTOR 1/8"
3	X8212	WASHER 1/4 MED SPLIT LOCK ZINC	25	7AT006	FITTING ELBOW 90 DEGREE 1/4-1/8
4	X8262	SCREW, 8-32 X 1/4", THPH, BLACK	26	71817A	HOSE 1/4" BRAIDED
5	X9059	LATCH OVER CENTER W/ KEEPER	27	PX30	FILTER, MESH SCREEN
6	X8990	HANDLE / WHEEL ASSEMBLY	28	PX213	FITTING 1/4 NPTM X 1/4 HOSE BARB
7	X9064	GASKET SOLUTION TANK	29	X9072	CORD HOOK
8	X9079	GASKET DONUT 3/8" THICK	30	X8270	SCREW 10-24 X 1/2"
9	PX46	NUT, LOCK, DIE CAST, 1-1/2"	31	X9069	END LOOP STAINLESS STEEL W/ TWO HOLES
10	PX14A	DAMP VALVE GASKET 1-1/2" THIN	32	X9068	12" STAINLESS STEEL JACK CHAIN
11	X8278	SCREW 8-32 X 1/2" PAN HEAD PHILLIPS	33	X8849	SCREW, 8-18 X 1/2" PHILLIPS PAN
12	X9073	PLUG 7/8" X 1-1/16" SNAP-TITE	34	X9065	SCREW 1/4-20 X 1" SHCS
13	X9076	BULKHEAD 1-1/2" MPT X 1-1/2"	35	SP101GRY	SOLUTION TANK
14	X9082	1-1/2" PVC SCHEDULE 40 PIPE	36	SP102GRY	RECOVERY TANK
15	X9062	FLOAT RING VACUUM SHUT-OFF	37	72173A	CLIP, SPRING, BLACK VINYL COATED
16	PX103AG	GASKET, LID, 6" O.D. X 4.6" I.D.	38	PX209	FILTER, FOAM, 1-1/2" O.D. X 1/2" THICK
17	PX103A	LID 4" CLEAR W/ BLACK RING	39	7DL003	CLAMP 1/4" WORM GEAR STAINLESS STEEL
18	X9087	WASHER #6 X 5/8 SAE FLAT 55	Not Illustrated		HOSE ASSEMBLY STRETCH 10 FT
19	X9088	SCREW 8-18 X 1/2 PAN HD PHIL SS	X9058		HAND TOOL, DETAILER ASSEMBLY 1-1/2"
20	X9061	SHUT-OFF DISK	AA195		LABEL
21	X8295	SCREW #8 X 3/4" PHILLIPS FLAT TS	X8962A		
22	PC66	FITTING 1/8" NPTM X 1/4 HOSE BARB			

Motor Assembly



ref. #	order #	description	ref. #	order #	description
1	X9046	BASE PLATE WELDMENT SPOTTER	16	PC66	FITTING, 1/8 NPTM X 1/4 HOSE BARB
2	7CM004	WASHER 3/8" FLAT STAINLESS STEEL	17	X8237	NUT, 1/4-20, LOCK NYLON INSERT
3	7AT006	BARB ELBOW (90) 1/4-1/8 BRASS	18	X9078	VACUUM MOTOR GASKET
4	71817A	HOSE 1/4" BRAIDED	19	X9060	SCREEN VACUUM MOTOR
5	X8212	WASHER 1/4 MED SPLIT LOCK ZINC	20	1942-IE	MOTOR, VACUUM, IMPERIAL ELECTRIC
6	X8291	CAP SVREW 1/4-20 X 5-1/2" ZINC	21	7CZ001	1-1/2" WIRE REINFORCED HOSE
7	PD8	STRAIN RELIEF 1/2" NPT	22	X9045	MOUNTING POST VACUUM MOTOR
8	X9048	SWITCH ROCKER SPOTTER	23	PC10	MALE QUICK DISCONNECT
9	M1408	POWER CORD, 18/3 X 15'	24	X8270	SCREW 10-24 X 1/2" PHILLIPS TRUSS HEAD
10	7DL003	CLAMP 1/4" WORM GEAR STAINLESS STEEL	25	X8214	NUT SPEED 1/4-20 U TYPE CLIP
11	PX214	FITTING NYLON, 90 DEG. ELBOW	26	X8293	WASHER NYLON .50 ID X .75 OD X .13 THK.
12	PX204	MOUNT, FLOJET PUMP, SPOTTER	Not Illustrated		
13	FJ5082	PUMP, OSCILLATING, FLOJET	X8284		SCREW 8-32 X 3/8 PHIL PANTCS
14	71817A	HOSE 1/4" BRAIDED	X8008N		NUT 1/2" CONDUIT
15	X8271	NUT 10-24 W/ NYLON INSERT	PX215		CLAMP 2-1/2" WORM GEAR S.S.
			X8497B		SWITCH LABEL 2.5" X 1.5"