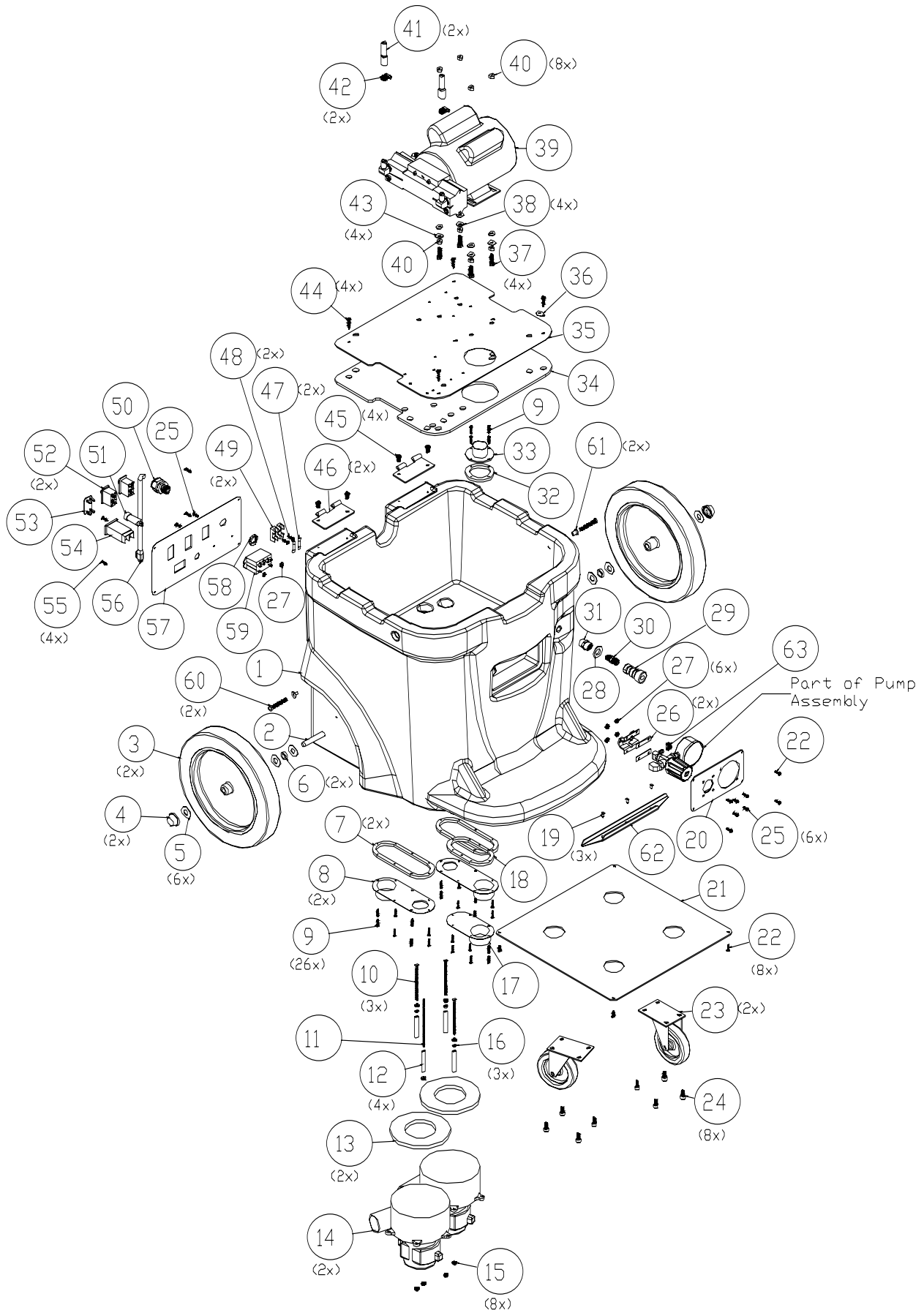


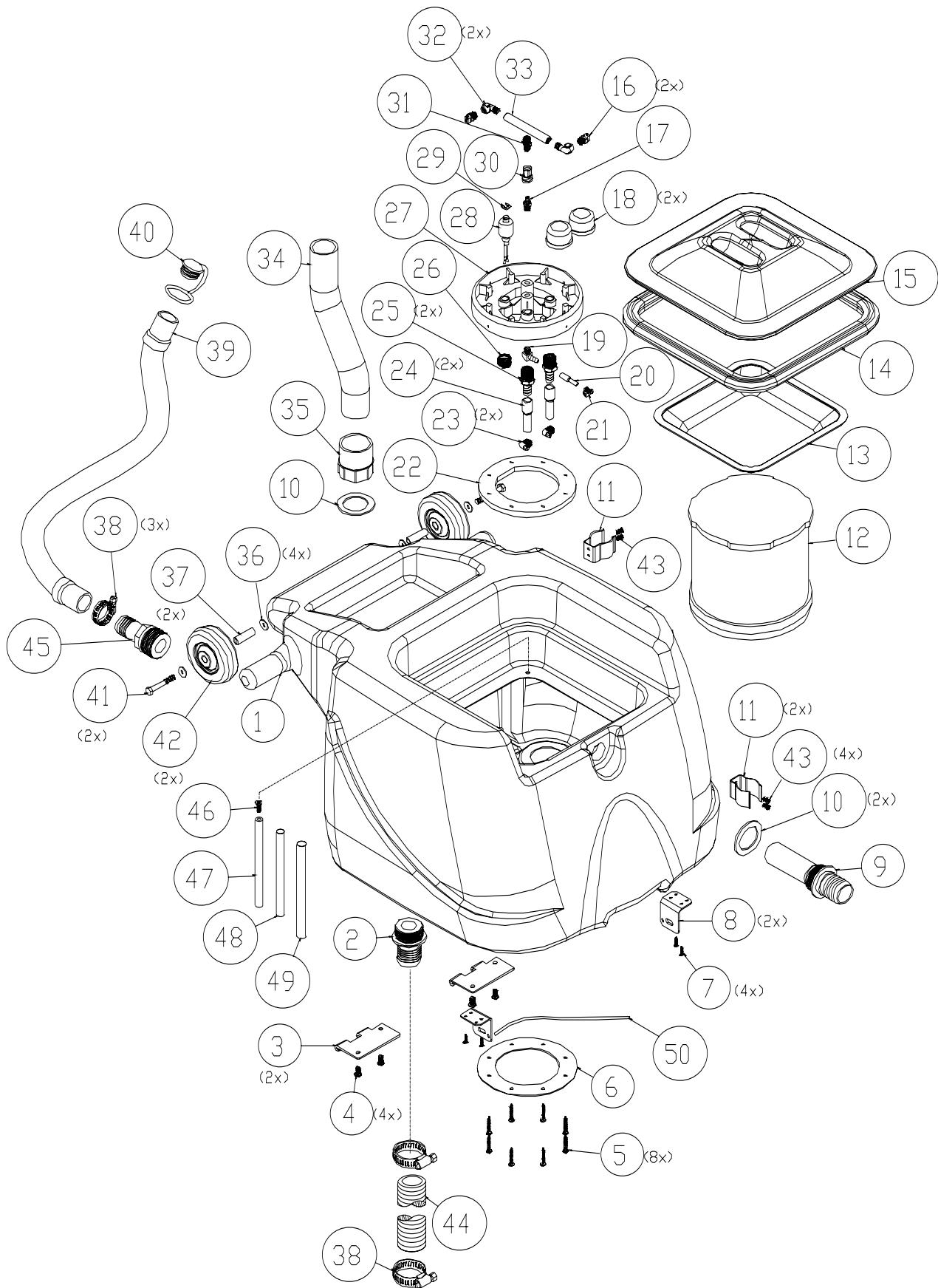
Base Assembly



Base Assembly

Ref#	Part#	Description	Qty	Ref#	Part#	Description	Qty
1	72620AM	Housing, Base, Maroon	1	26	72639A	Gasket, Mounting Pressure Regulator	2
2	72633A	Axle, 23.375" Long	1	27	X8256	Nut, 8-32 Keps, Zinc	6
3	X9066	Wheel, 12" x 1.75" Non-Marking	2	28	X8239	Washer, ? USS Flat Zinc	1
4	7GL002	Push Nut, ?"	2	29	PX6	1/4 x 1/4 Female Quick Disconnect, Brass	1
5	7CM 007	Washer, 1/2 USS Flat, 18-8 SS	6	30	7CX002	Nipple, Hex 1/4 MPT	1
6	72635A	Spacer, 1/2" ID x 3/4" OD x 1/4" Long	2	31	PC38+	Connector, Double Thread, Female	1
7	72640A	Gasket, Vacuum Manifold, Long Form models with 2 vacuum motors only	2	32	72642A	Gasket, Vacuum Manifold, Circle	1
8	72623A	Cover, Vacuum Manifold, Long Form models with 2 vacuum motors only	2	33	72625A	Cover, Vacuum Manifold, Circle	1
9	7CW 002	Screw, #6 x 3/4 PhilPan TS, Type A 18-8 SS Use only 10 form models with 1 vacuum motor	26	34	72627A	Gasket, Pump Mounting	1
10	72657A	Screw, 10-24 x 4" Long, Hex Head, MS, SS Form models with 2 vacuum motors only	3	35	72626A	Pump Mounting Plate	1
	72658A	Screw, 10-24 x 5" Long, Hex Head, MS, SS Form models with 1 vacuum motor only	1	36	X9069	End Loop, SS, w/2 holes, 16G	1
11	72000A	Rod, 3/16 x 5-1/2, All Thread Stud, 18-8 SS	1	37	X8282	Bolt, 1/4-20 x 1" Hex SS	4
12	72651A	Spacer, VAC Motor, 2.375" Long Form models with 2 vacuum motors only	4	38	72667A	Rubber Washer, 29ID, .688OD, .093Th	4
	72605A	Spacer, 1/8 Schedule 80, PVC, Deburred Form models with 1 vacuum motor only	2	39	72643A	Pump Assembly, 500 PSI - For Pro 500	
13	70020B	Gasket, Vacuum Motor Seal Use only one form models with 1 vacuum motor	2		72644A	Pump Assembly, 750 PSI, 140 CAM, Pro 750	1
14	1942-IE	Vacuum Motor, 115 VAC, 104 CFM, 2 Stage Form models with 2 vacuum motors only	2		XXXXX	Pump Assembly, 1000 PSI - For Pro 1000	1
	72365A	Vacuum Motor, 3 Stage, 120V Form models with 1 vacuum motor only	1	40	7BF004	Nut, Kep, 1/4-20 Zinc	8
	72611A	VAC Motor, 3 Stage, 230V, 5.7N For 230V models only	1	41	70079C	Hose, 1/2" Wire Reinforced	42"
15	7BF003	Nut, Kep, #10-24 Zinc Use only one form models with 4 vacuum motor	8	42	7DL008	Clamp, 1/2" Worm Gear, SS, Hex Sbt, PhilHD	2
16	7CM 003	Washer, #10 USS Flat, 18-8 SS Use only one form models with 1 vacuum motor	3	43	X8235+	Washer, 1/4" Flat USS Zinc	4
17	72624A	Cover, Vacuum Manifold, Short In series only	1	44	72020A	Screw, #12 x 1", Self Tap, PHMS Zinc	4
	72630A	Cover, Vacuum Manifold, flat With 1 vacuum motor only	1	45	7BS003	Screw, 1/4-20 x 1/2, Phil, Pan, MS 18-8 SS	4
18	72641A	Gasket, Vacuum Manifold, Short	1	46	X9014	Hinge	2
19	72662A	Screw, #10 x 1/2", Flat, Phil, SM, Black	3	47	72481A	Fuse, 15 Amps / 32 V Use only 1 form models with 1 vacuum motor only	2
20	72638A	Pressure Regulator Plate	1	48	72052A	Screw, #8 x 5/8 PhilPan TS, Type A 18-8 SS Use only 1 form models with 1 vacuum motor only	2
21	72636A	Cover Plate, Bottom	1	49	72430A	Fuse Clip Use only 1 form models with 1 vacuum motor only	2
22	72388A	Screw, #10 x 5/8, Tap Phil, SS Pan Head	8	50	PD8	Strain Relief, 1/2" NPT	1
23	PX65	Caster, 4" Black	2	51	7FC 007	Circuit Breaker, 5A	1
24	72490A	Screw, 5/16-18 x 5/8, Cap Screw w/Hex Socket	8	52	70050B	Rocker Switch, 15A SPST, 2-Pole, Gasketed Use 3 with ozone	2
25	7BS002	Screw, 8-32 x 1/2 Phil, Pan MS, 18-8 SS	6	53	72116A	Switch Cover, Blank - Form models w/o ozone	1
				54	72411A	Hour Meter, AC	1
					71544A	Hour Meter, 230V - For 230V models	1
				55	72387A	Screw, #8 x 5/8, Black, Tap Phil, Pan Head	4
				56	PX112	Pigtail, Black, 12/3 SJT x 39" Long	1
				57	72632A	Switch Panel	1
				58	X8008N	Nut, Lock, 1/2" Steel Conduit	1
				59	71379A	Relay, 25A, 120V	1
					71379B	Relay, 240V - For 230V models only	1
				60	72637A	Screw, ?-20 x 2, PhilPan Zinc, Fully Threaded	2
				61	72665A	Insert, Tee Nut, ?-20 Thread, ? High	2
				62	72661A	Wand Holder	1

Tank Assembly



Tank Assembly

Ref#	Part#	Description	Qty
1	72619A	Tank, Recycling	1
2	PX25+	Fitting, Plastic, 1-?" NPT x 1-?" Hose Barb	1
3	X9014+	Tank Hinge	2
4	7BS003	Screw, ?-20 x 1/2" PhilPan MS 18-8 SS	4
5	71644A	Screw, #10 x 1" PhilPan TS	8
6	71920A	Ring Washer	1
7	72388A	Screw, #10 x 5/8, Tapping Phil, SS Pan Head	4
8	72631A	Latch Bracket	2
9	72666A	Inlet Fitting, Short	1
10	PX14A+	Dump Valve Gasket 1-?", 2.5 OD x 1.75 Rubber	2
11	72173A	Spring Clip, Black Vinyl Coated	2
12	72224B	Main Filter, New, Smaller	1
13	72326A	Filter, Inlet	1
14	72323B	Gasket, Lid 43"	1
15	72321A	Lid, Tank	1
16	7DE016	Nozzle H 1/8 VV CH SS 11001	2
17	71576A	Nipple QD 1/8 M SS	1
18	71495A	Pump Protection Filter	2
19	7AT006	Barb Elbow, 90°, ?-1/8	1
20	71817A	Hose, ?" Braided	22"
21	7DL003	Hose Clamp, ?"	1
22	71897A	Gasket, Filter Mount	1
23	7DL008	Hose Clamp, ?" SS	2
24	70079C	Hose, ? Wire Reinforced	42"
25	PC25+	? to ?" Male/Male Barb	2
26	7AF003	Plug, Counter Hex ?"	1

Ref#	Part#	Description	Qty
27	72317A	Filter Mount	1
28	70343A	Switch Flat 2 Pole	1
29	71553A	Elbow, Flat Switch 70143A	1
30	70100A	Coupler QD 1/8F	1
31	7CX001	Nipple Hex 1/8	1
32	SW 139+	Elbow, 1/8 Street (90 degree)	2
33	71485A	Header Backflush Nozzle	1
34	72628A	Vacuum Standpipe, New Pro	1
35	PX63+	Coupler, Plastic, 1-?" Slip	1
36	X8235+	Washer, ?" Flat, USS Zinc	4
37	72486A	Spacer, 1.625 Long, .50 OD, 313 ID	2
38	7DL005	Clamp Worm Gear 1-1/2 SS	3
39	PAS37+	Drain Hose	1
40	PAS36+	Expansion Plug Drain	1
41	72645A	Bolt, 5/16-18 x 2-1/4, Hex	2
42	X8025+	Wheel, Black, 4" x 1-1/4"	2
43	7BH004	Screw, 10-32 x 3/8" PhilPan 18-8 SS	4
44	72656A	Hose, 1-1/2" Wire Reinforced, Black	32"
45	72476A	Fitting, Nylon Hose Barb, 1-1/4" ID, 1-1/2" NPT	1
46	72598A	Screw, 1/4-20 x 3/4" Phil Flat, SS	1
47	72589A	White Delrin Hollow Rod, 1/2" OD, 1/4" ID, 7" Long	1
48	72659A	Decal, Water Level Gauge	1
49	72588A	Heat Shrink Tubing, Clear PVC, 5/8" Exp. ID, 7.5"L1	
50	72660A	Rope	26"