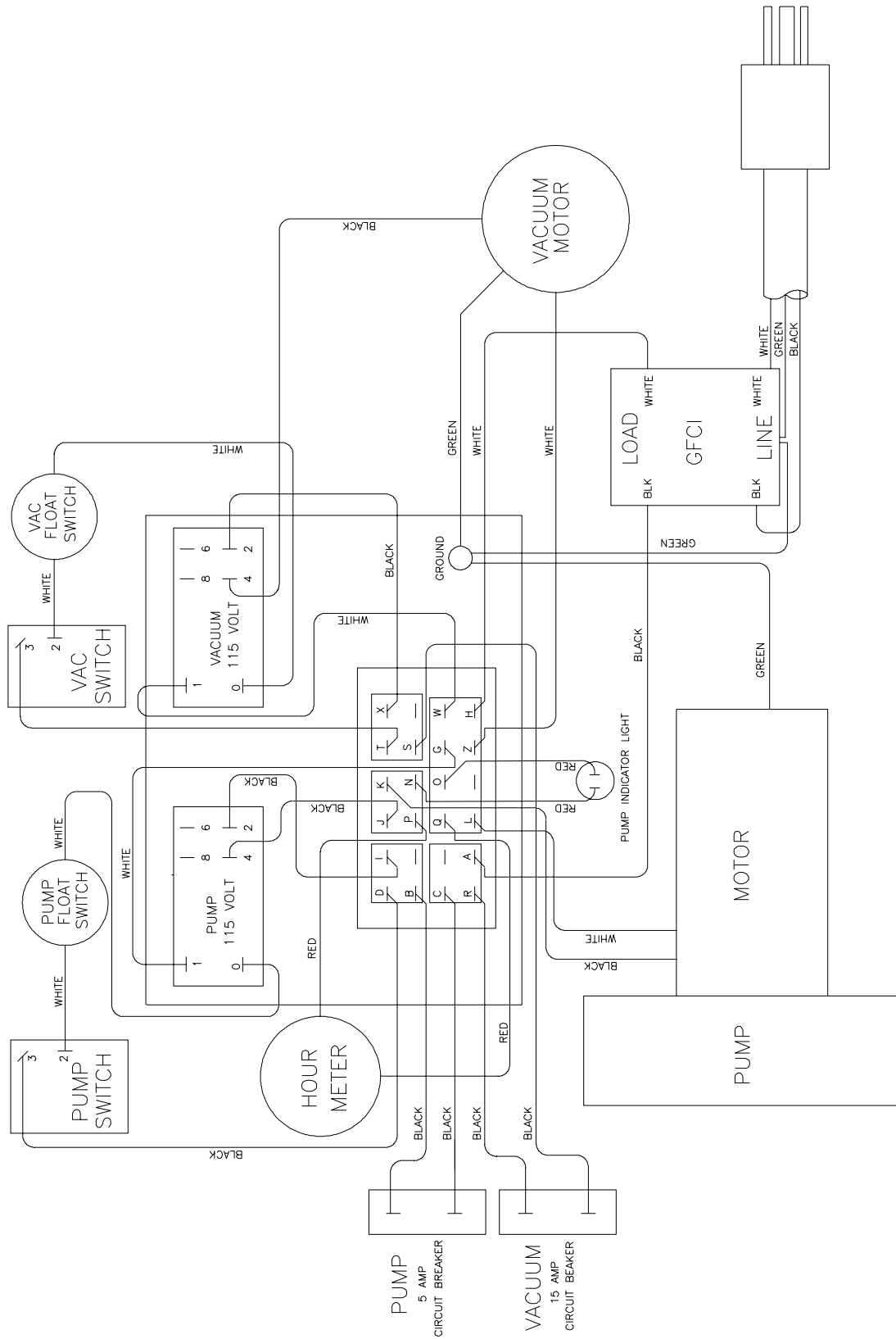
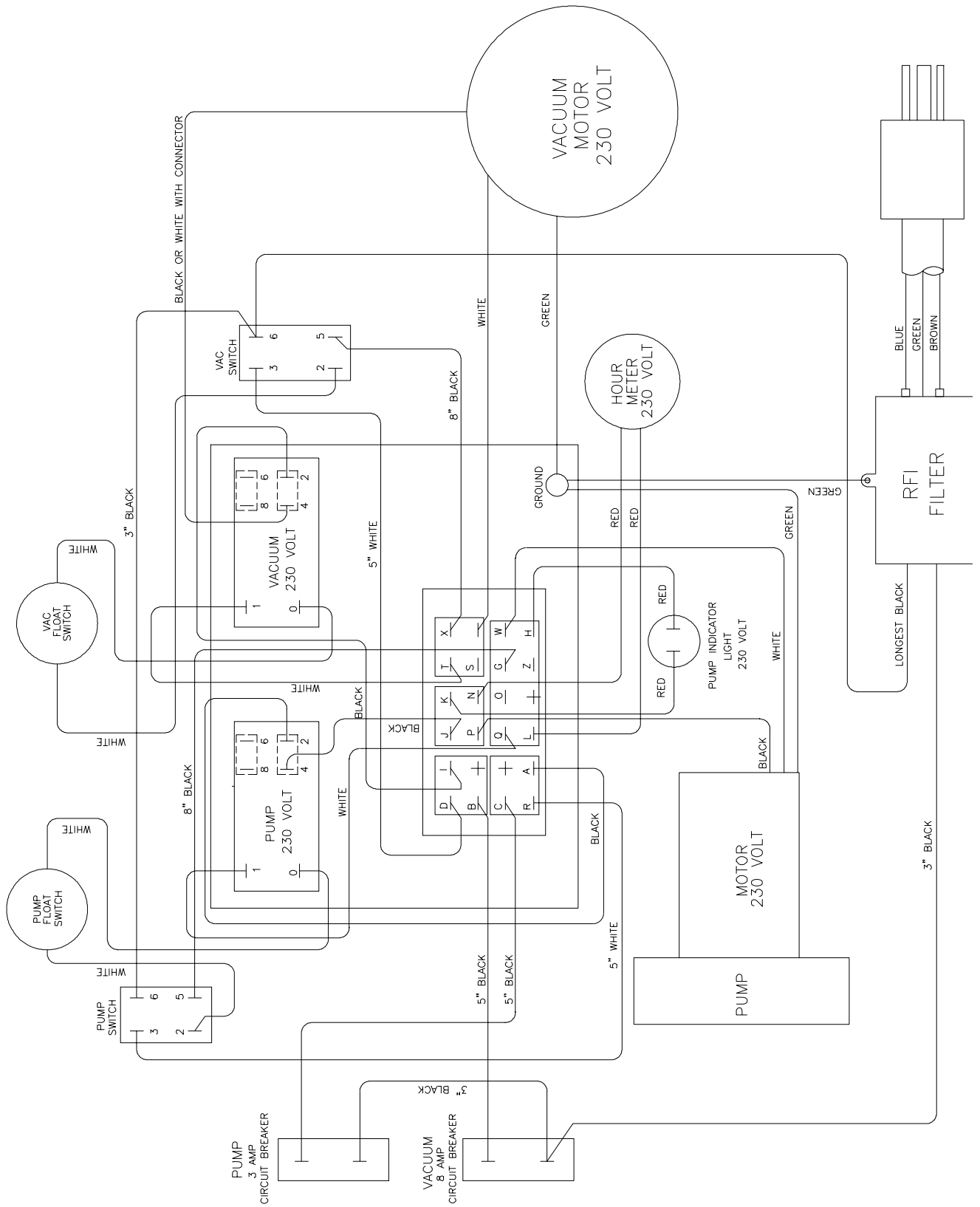


Wiring Diagram – Pro 400 (115 Volt)



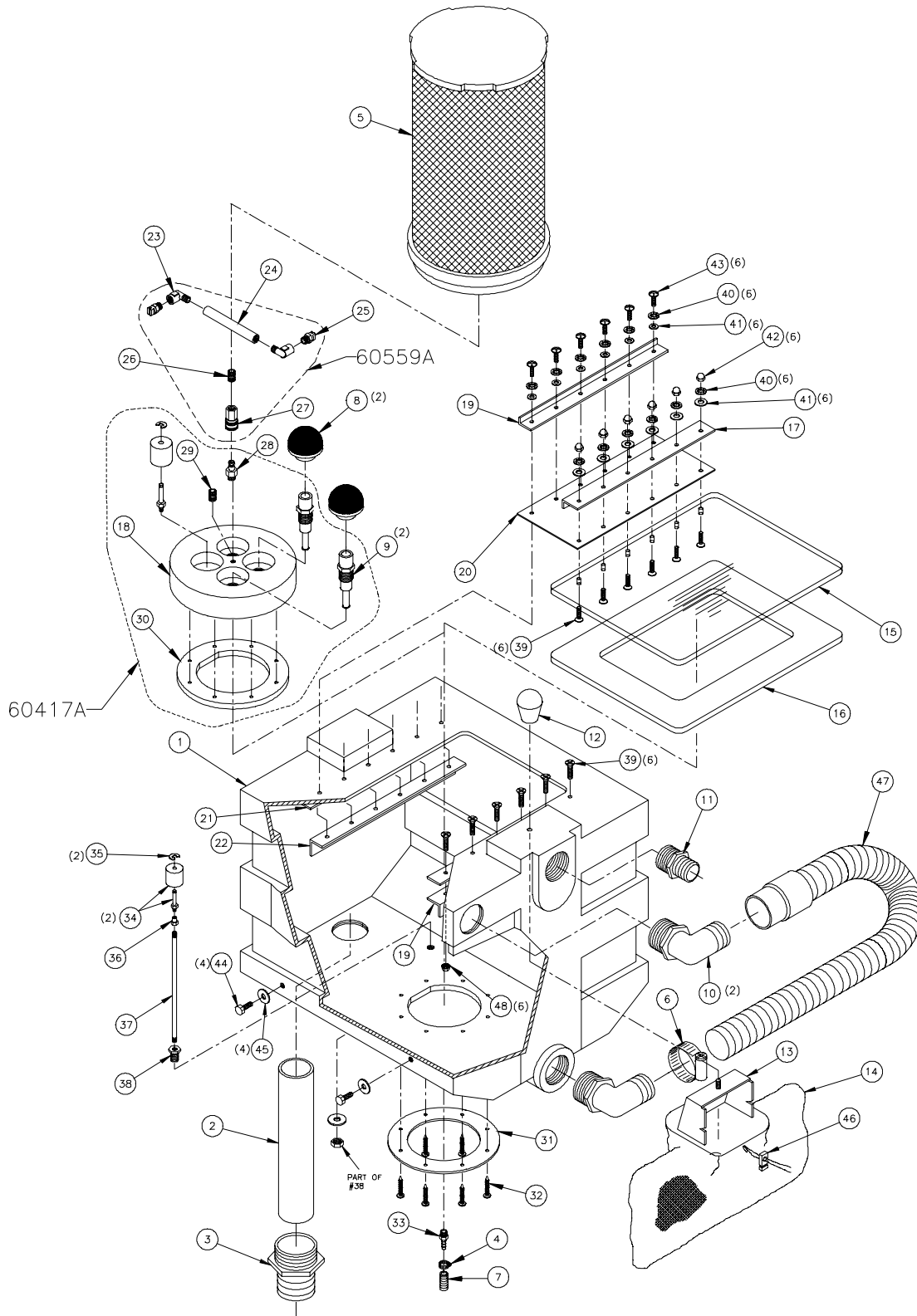
Wiring Diagram – Pro 400 (230 Volt 50 Hz CE)



Parts List – Tank Assembly – Pro 400

#	Part #	Description
1	72193A	Tank, Pro400 (w/mound)
2	71287A	Standpipe, vacuum
3	7GR030	Barb fitting, 2"
4	7DL008	Clamp, ½ hose
5	72188A	Filter, stainless steel
6	7DL005	Clamp, 1 ½" hose, narrow SS
7	72031A	Hose, 3/8"
8	71495A	Pump protection filter
9	71898A	Fitting, inlet
10	7GR016	Elbow, 1 ¼" H – 1 ¼" M nylon
11	70041A	Fitting, flanged 1/12
12	70542A	Knob, ¼" – 20
13	70693A	Holder, inlet filter bag
14	10009A	Filter, inlet
15	70673A	Cover, observation
16	70679A	Gasket, tank cover
17	70675A	Retainer, hinge
18	71896A	Filter, mound
19	71311A	Angle, hinge mount
20	70677A	Hinge, flexible
21	7GF038	Gasket, hinge
22	71158A	Deflector
23	7AE004	Elbow 1/8" street, forged
24	71485A	Header, 1/8 back flush
25	7DE016	Nozzle, 1/8 back flush
26	7AC002	Nipple, 1/8 back flush
27	70100A	Coupler, Q.D. 1/8 female
28	71576A	Nipple, Q.D. 1/8-1/8 SS
29	7AF003	Plug, ½"
30	71897A	Gasket, filter mound
31	71920A	Ring, washer
32	72020A	Screw, tapping #2 x 1"
33	7AT022	Barb, 3/8 H – 1/8 M (brass)
34	70343A	Switch, float
35	71553A	E-ring, float switch SS
36	7DA001	Coupler, 1/8" – 1/8" pipe
37	70671A	Nipple, 1/8" NPT x 11"
38	7AJ004	Anchor connector, 1/8"
39	7BZ001	Screw, #10-24 x ¾" FHMS, SS
40	7CY001	Washer, IT lock #10, SS
41	7CM003	Washer, flat #10, SS
42	7DN001	Nut, cap #10-24, SS
43	7CU001	Screw, #10-24 x 1" PHMS, SS
44	7CP002	Screw, 5/16 – 18 x ½" HHMS, SS
45	7CR004	Washer, flat 5/16"
46	71473A	Cord closure, elliptical inlet bag Pro 400
47	72134A	Hose, drain, Pro 400
48	7BF003	Nut, kep #10-24

Schematic – Tank Assembly – Pro 400

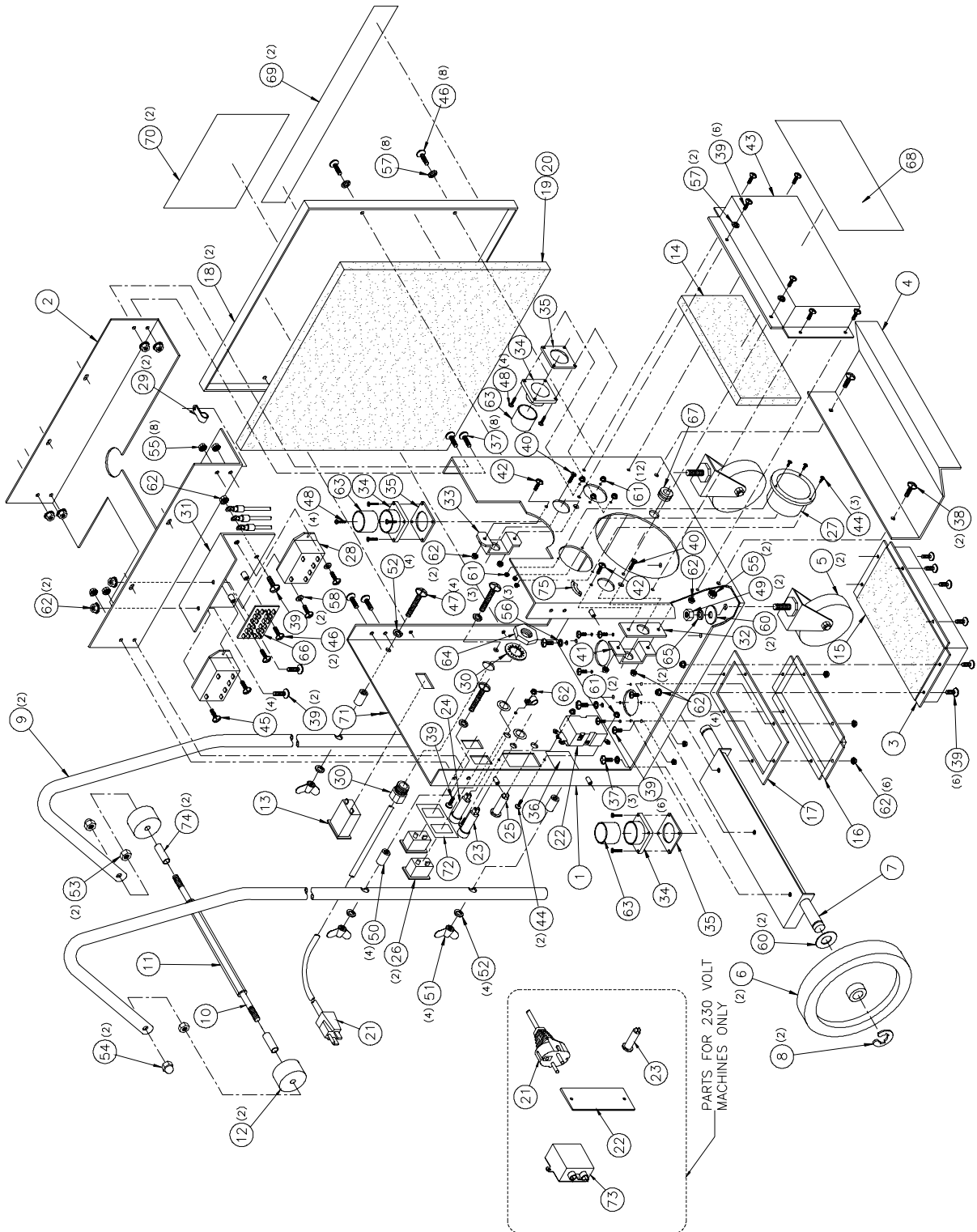


Parts List – 10270A, 10291A, 10310A Base Assembly – Pro 400

#	Part #	Description
1	71232A	Chassis
2	71304A	Bracket, Tank
3	71233A	Muffler, Exhaust
4	71234A	Tool Holder/Handle
5	70461A	Caster Wheel, 5"
6	71236A	Wheel, 10"
7	71246A	Axle
8	7CH002	Ring, E 1/2"
9	71247A	Handle
10	70518A	Rod, Handle Support
11	7GG002	Tube, Clear PVC 3/8"
12	70371A	Wheel, 2 1/2" OD-3/8" ID
13	71499A	Hour Meter, ("Snap on back" type)
	71544A	Hour Meter, 230 Volt
14	7GF035	Foam, Inlet Muffler
15	7GF036	Foam, Exhaust Muffler
16	71262A	Box, Air Inlet
17	7GF039	Gasket, Air Inlet Box
18	71243A	Side Panel
19	7GF037	Foam, Left Side Cover
20	7GF044	Foam, Right Side Cover
21	71026A	Cord, Power 30'8"
	71912A	Cord, Power 35' CE 230 Volt
22	70172A	Ground Fault Circuit Interrupter
	70968A	Plate, GFCI 230 Volt
23	7FC003	Circuit Breaker, 15 Amp
	7FC010	Circuit Breaker, 8 Amp 230 Volt
24	7FC007	Circuit Breaker, 5 Amp
	7FC008	Circuit Breaker, 3 Amp 230 Volt
25	70372A	Light, Pump Indicator, Red
	70756A	Light, Pump Indicator, Red 230 Volt
26	70050B	Switch, Rocker 15 Amp
	70895A	Switch, Rocker 15 Amp (230 Volt)
27	70066A	Gauge, Pressure
28	71379A	Relay, Heavy Duty
	71379B	Relay, Heavy Duty 230 Volt
29	7DL010	Clamp, 7/16"
30	70702B	Connector, Strain Relief
31	71269A	Bracket, Terminal
32	70222A	Plate, Pressure Regulator Limit
33	71312A	Bracket, Coupler
34	7GR032	Adapter, Flanged Hose
35	7GF006	Gasket, Flange
36	71444A	Decal, Warning GFCI ETL on ETL models only)
37	7BS003	Screw, 1/4-20x1/2" PHMS SS
38	7EW001	Screw, 1/4-20x3/4" PHMS SS
39	7BS001	Screw, #10-24x1/2" PHMS SS

#	Part #	Description
40	7ED003	Screw, #10-24x1/2" FHMS SS
41	70223A	Bracket, Mount, Pressure Regulator
42	7CU001	Screw, #10 - 24 x 1" PHMS SS
43	71440A	Muffler, Inlet
44	7BS004	Screw, #6 - 32 x 1/2" PHMS SS
45	7DP002	Screw, #8 - 32 x 5/8" PHMS SS
46	7BR005	Screw, #10 - 32 x 3/4" PHMS SS
47	70609A	Screw, 5/16 - 18 x 1 1/2" PHMS SS
48	7DW001	Screw, #6 - 32 x 5/8" PHMS SS
49	7FG001	Nut, Hex 7/16-14 SS
50	70517A	Nut, Handle Spacer 5/16-18
51	7ER004	Nut, Wing 5/16-18 SS
52	7CL001	Washer, Split Lock 5/16"
53	7CN004	Nut, Hex 3/8-16 SS
54	7DN003	Nut, Cap 3/8-16 SS
55	7BF004	Nut, Kep 1/4-20
56	7CY002	Washer, IT Lock 1/4" SS
57	7CY001	Washer, IT Lock #10 SS
58	7CM003	Washer, Flat #10 SS
59		
60	7CM007	Washer, Flat 1/2" SS
61	7BF001	Nut, Kep #6 - 32
62	7BF003	Nut, Kep #10 - 24
63	7GR037	Coupling, PVC 1 1/4" Slip
64	70708A	Nut, 1/2" Pipe
65	7FH001	Washer, IT lock 7/16"
66	71270A	Board, Terminal
67	7BG003	Grommet, 7/16" Cable
68	71351A	Decal, CFR Corporation
69	71315A	Decal, Pro 400
70	71316A	Decal, Pro Station
71	71317A	Decal, Serial Number Pro 400
	71418A	Decal, Serial Number Pro 400 ETL 15
	71443A	Decal, Serial Number Pro 400 ETL 20
72	71360A	Decal, On/Off Switches
73	71815A	RFI Filter, Altra Pro 400 CE
74	72155A	Bushing, Wheel 2.5
75	71872A	Decal, Variable Speed (+ or -)

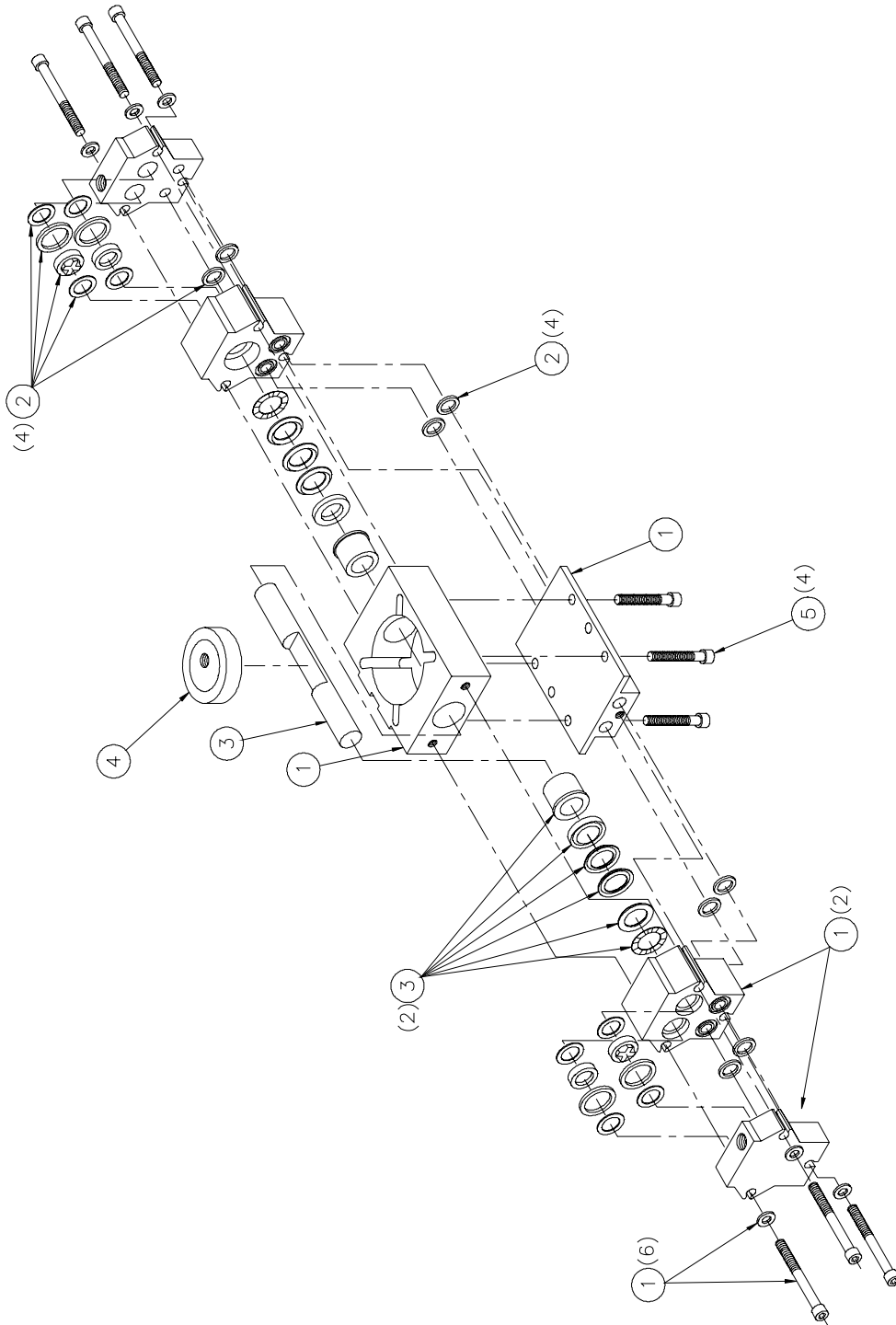
Schematic – 10270A, 10291A, 10310A Base Assembly – Pro 400



**Parts List Pump Assembly, Tectwin 205
71475A Tectwin 205 Pump (Brown)
71540A Tectwin 205 Pump (Red)**

#	Part #	Description
1		Pump Body parts (NOT sold separately)
2	7HR025	Kit-B, Valve 111/205 (for Brown Pump)
	7HR034	Kit-B, Valve 111/205 (for Red Pump)
3	7HR021	Kit-A, Tectwin Plunger/ Seal
4	7HR039	Kit-C, Cam/Bearing Assembly .135 (for Balck Motor 115V)
	7HR023	Kit-C, Cam/Bearing Assembly .135 (for Grey Motor 115V)
	7HR040	Kit-C, Cam/Bearing Assembly .160 (for Black Motor 230V)
	7HR030	Kit-C, Cam/Bearing Assembly .160 (for Grey Motor 230V)
	7HR041	Kit-C, Cam/Bearing Assembly .150 (for Black Marathon Motor 100V)
	7HR033	Kit-C, Cam/Bearing Assembly .150 (for Black Magnetek Motor 100V)
5	71313A	Screw, 1/4-20 x 2" SHCS SS

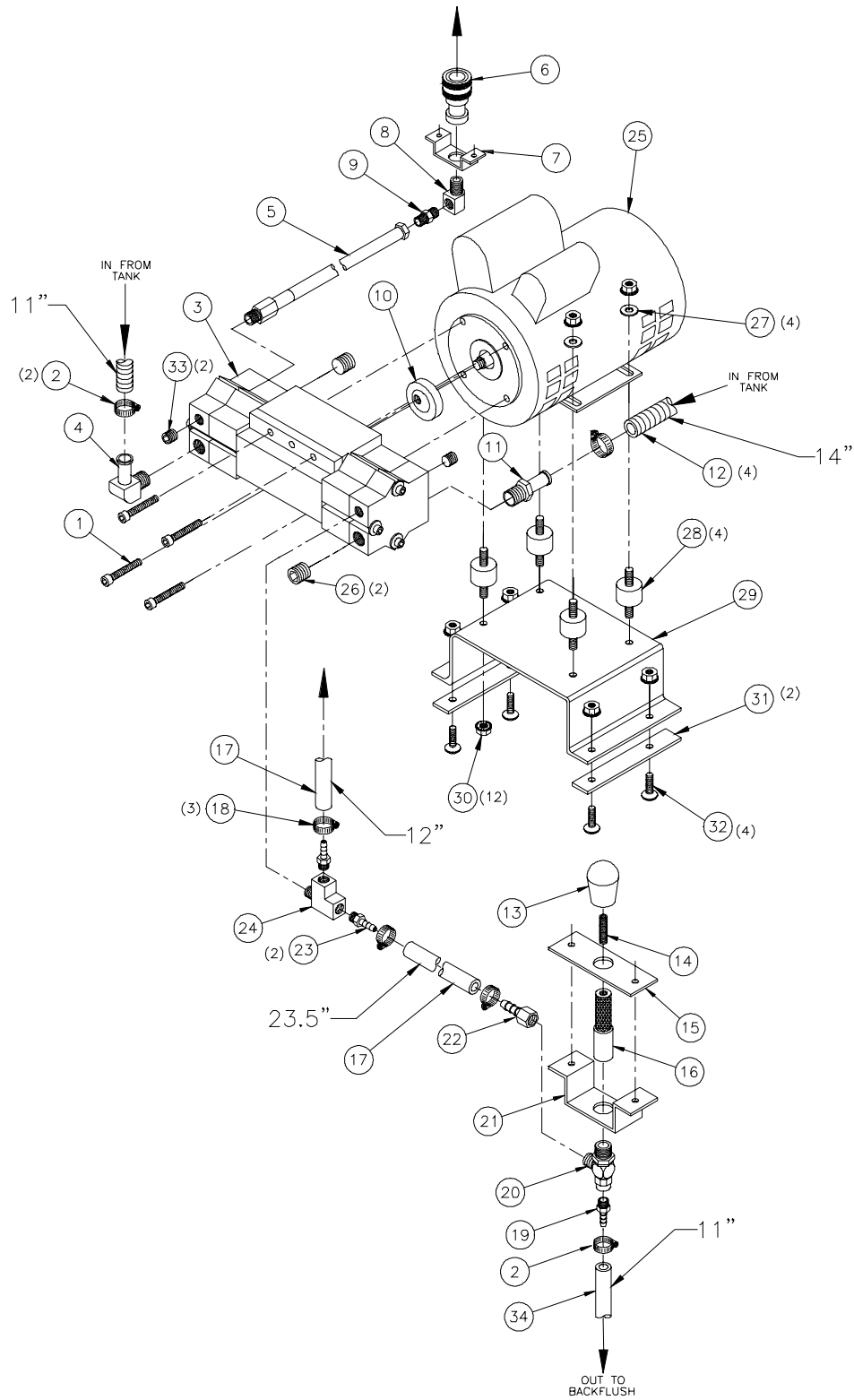
Pump Assembly, Tectwin 205
71475A Tectwin 205 Pump (Brown)
71540A Tectwin 205 Pump (Red)



Pump/Motor Assembly 60239A – Pro 400

#	Part #	Description
1	70704A	Screw, 1/4-20 X 1 3/4" SHCS
2	7DL008	Clamp, 1/2" OD SS
3	71540A	Pump, Phantwin 205 Red
4	71507A	Barb. Elbow 1/2H X 3/8M
5	70062A	Dampner, Pulsation
6	70063B	Coupler, Quick Disconnect Valved 1/4"
7	71312A	Bracket, Coupler Pro 400
8	7AE003	Elbow, 1/4" Street
9	7CX002	Nipple, Hex 1/4" NPT
10	7HR039	Kit C., .135 Cam Bearing Assembly (Full Thickness)
	7HR040	Kit C., .160 Cam Bearing Assembly (Full Thickness)
	7HR041	Kit C., .150 Cam Bearing Assembly (Full Thickness)
11	7AT021	Barb, Beaded 1/2H X 3/8 MPT
12	70079C	Hose, Reinforced Clear PVC
13	7EC001	Cap, Mini Pressure Regulator
14	7EE003	Screw, 3/8-24 X 1" Set Nylok
15	70222A	Plate, Mini Pressure Regulator Limit
16	70224B	Handle, Mini Pressure Regulator
17	71318A	Hose 1/4" ID, 500psi, Red
18	7DL003	Clamp, 1/4" Hose
19	7AT022	Barb, 3/8" Hose X 1/8" NPT, Brass
20	72059A	Regulator, Pressure
21	70223A	Bracket, Mount Mini Pressure Regulator
22	7AT020	Barb, Hose 1/4H X 1/4F
23	7AT003	Barb, Hose 1/4" X 1/4"
24	7AM001	Tee, Street 1/4NPT
25	71238A	Motor, Pump S-V 1/3 Horse
26	7AF002	Plug, 3/8NPT
27	7CM001	Washer, Flat 1/4" SS
28	71240A	Mount, Motor Pump S-V
29	71237A	Bracket, Motor Mount S-V
30	7BF004	Nut, Kep 1/4-20
31	7GF033	Pad, Motor Mount S-V
32	7EW001	Screw, 1/4-20 X 3/4" PHMS SS
33	7AF001	Plug, 1/4NPT
34	72031A	Hose, 3/8" ID

Pump/Motor Assembly 60239A – Pro 400



**Vacuum Motor Assembly – Pro 400
60512A, 60572A, 60577A**

#	Part #	Description
1	71285A	Motor, Vacuum 3-Stage(for 115 Volt units)
	71285B	Motor, Vacuum 3-Stage (230 Volt units)
	71416A	Motor, Vacuum 3-Stage (for Pro 400 ETL 15)
2	70522A	Coupling, Fresh Air Inlet
3	7GR011	Elbow, Short PVC 1 1/2
4	7DL001	Clamp, 2" Worm Gear
5	7CZ001	Hose, 2" White
6	70020B	Gasket, Vacuum Bottom Seal
7	7DL004	Clamp, 3 1/4" Worm Gear
8	72221A	Motor Mount, 1/4-20, 3/4 Dia X 3/4 Length
9	72222A	Spacer, Vac Pro 400
10	7CL002	Washer, Split Lock 1/4"
11	7EW001	Screw, 1/4-20 X 3/4" SS
12	7HR027	Brushes, Replacement for 71285A 115Volt (White)
	70798A	Brushes, Replacement for 71285B 230Volt (Black)
	71348A	Brushes, Replacement for 71416A ETL15/ Airline (Blue)
13	7GR037	Coupling, PVC 1-1/4" Slip

Vacuum Motor Assembly – Pro 400
60512A, 60572A, 60577A

