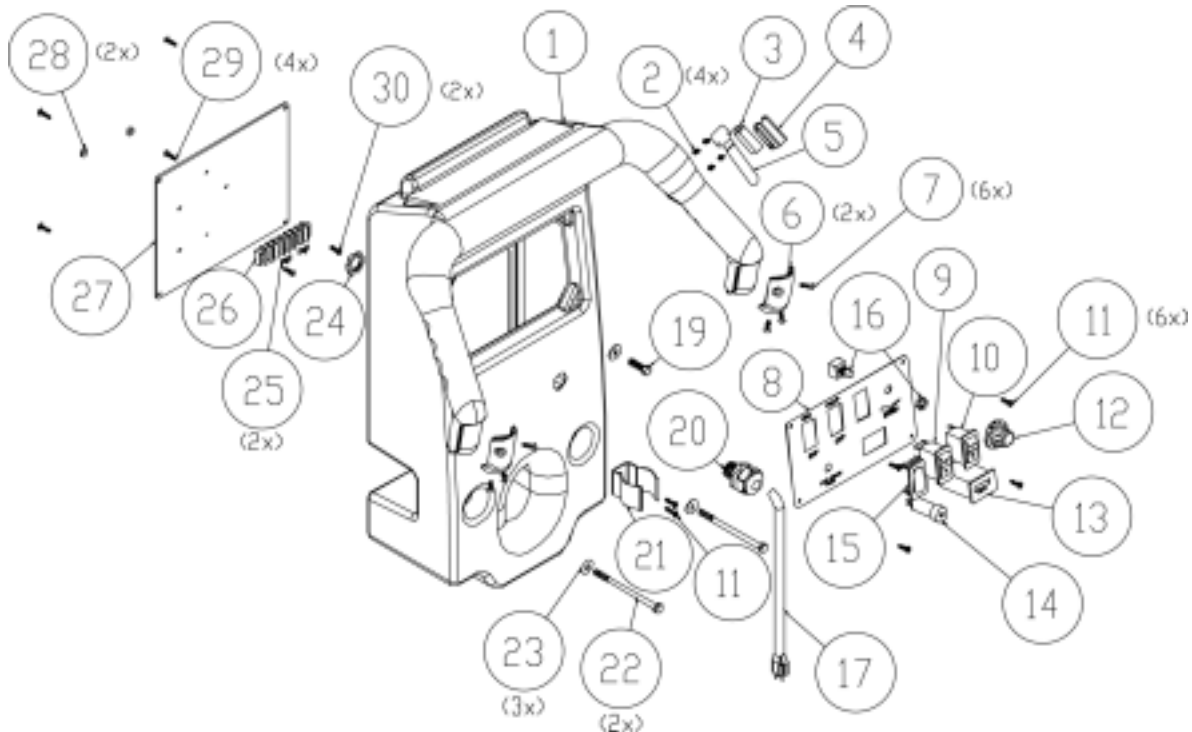
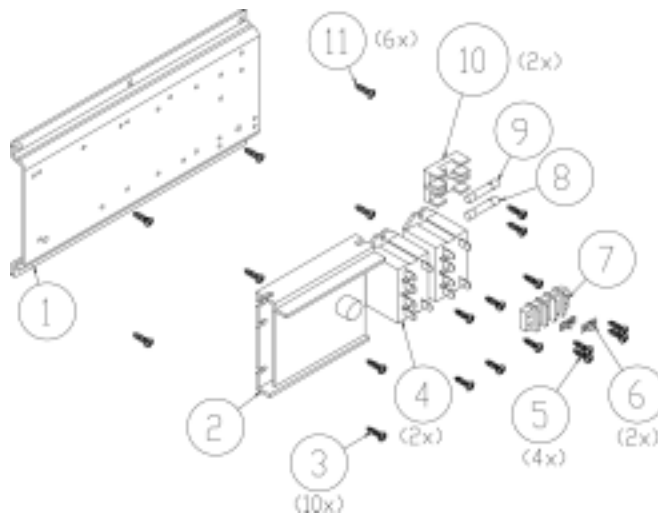


## Handle Assembly



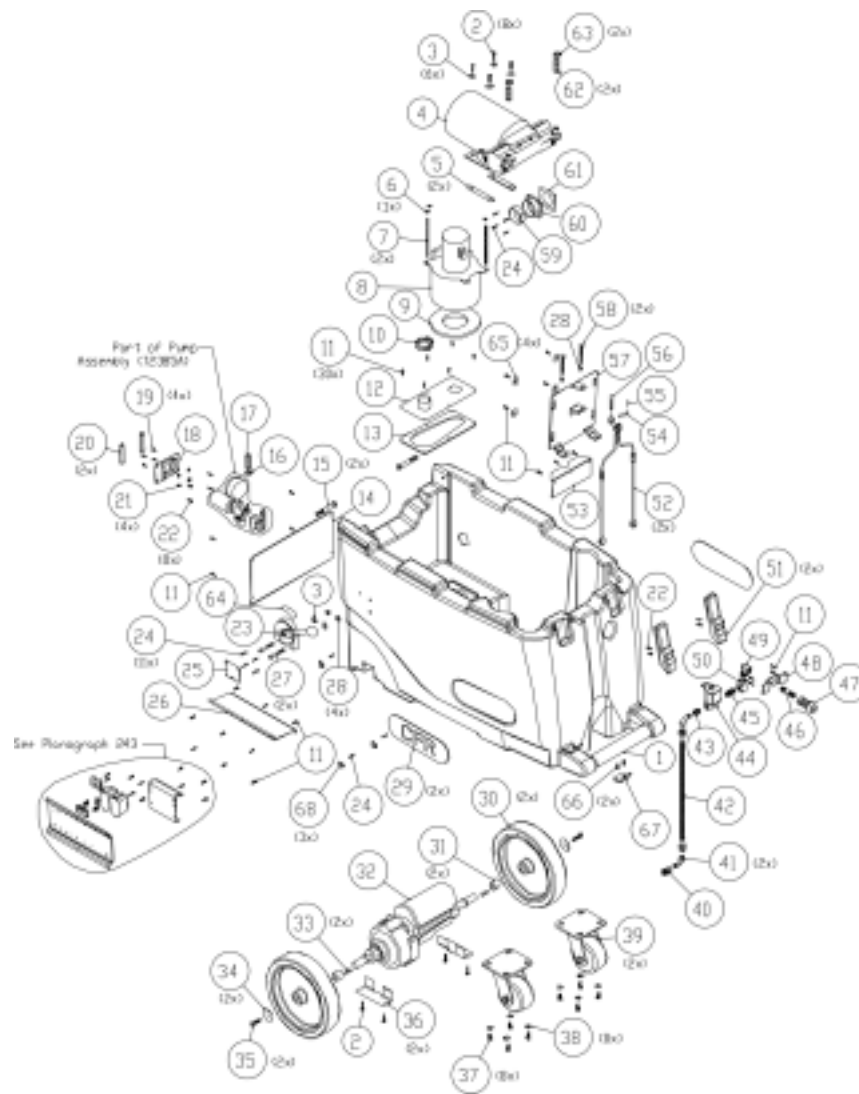
| Ref # | Part # | Description                        | Ref # | Part # | Description                   | Ref # | Part # | Description                        |
|-------|--------|------------------------------------|-------|--------|-------------------------------|-------|--------|------------------------------------|
| 01    | 72505A | Handle, Paramount                  | 11    | 72387A | Screw, #8 x 5/8 Phil PH       | 22    | 72570A | Screw, Long, Hex Head              |
| 02    | X8261  | Screw, #6 Phil Pan, P20SP          | 12    | 72579A | Knob, Speed Control, P20SP    | 23    | X8235  | Washer, Flat USS Zinc              |
| 03    | 72008A | Micro Switch, P20SP                |       | X8151C | Plug, 3/8" Hole, Plastic,     | 24    | X8008N | Nut, Lock, Steel Conduit           |
| 04    | 72382A | Bracket, Finger Switch, P20SP      | 13    | 72411A | Hour Meter, AC                | 25    | 72434A | Jumper Tab #6, P20SP               |
| 05    | 72398A | Handle, Finger Switch, P20SP       | 14    | 7FC007 | Circuit Breaker, 5A           | 26    | 72432A | Terminal Block, 7 Positions, P20SP |
| 06    | 72510A | Handle Glide                       | 15    | 72116A | Switch Cover, Blank           |       | 72433A | Terminal Block, 7 Positions        |
| 07    | 72056A | Screw, #8 x 5/8"                   | 16    | 72566A | Motor Control, 125VDC         | 27    | 72361A | Panel, Motor Control               |
| 08    | 72574A | Switch Panel, P-20                 | 17    | PX112  | Pigtail, Black 12/3 SJT x 39" | 28    | X8256  | Nut, 8-32 Keps Zinc                |
| 09    | 70895A | Rocket, Switch, 15A, 4 Pole, P20SP | 19    | X8282  | Bolt, Hex SS                  | 29    | 72052A | Screw, #8 x 5/8, Phil Pan TS       |
| 10    | 70050B | Rocker, Switch, 15A, 2-Pole        | 20    | PD8    | Strain Relief NPT             | 30    | 7BS002 | Screw, Phil Pan                    |
|       |        |                                    | 21    | 72173A | Clip, Hand-Holding Spring     |       |        |                                    |

## Component Panel Assembly



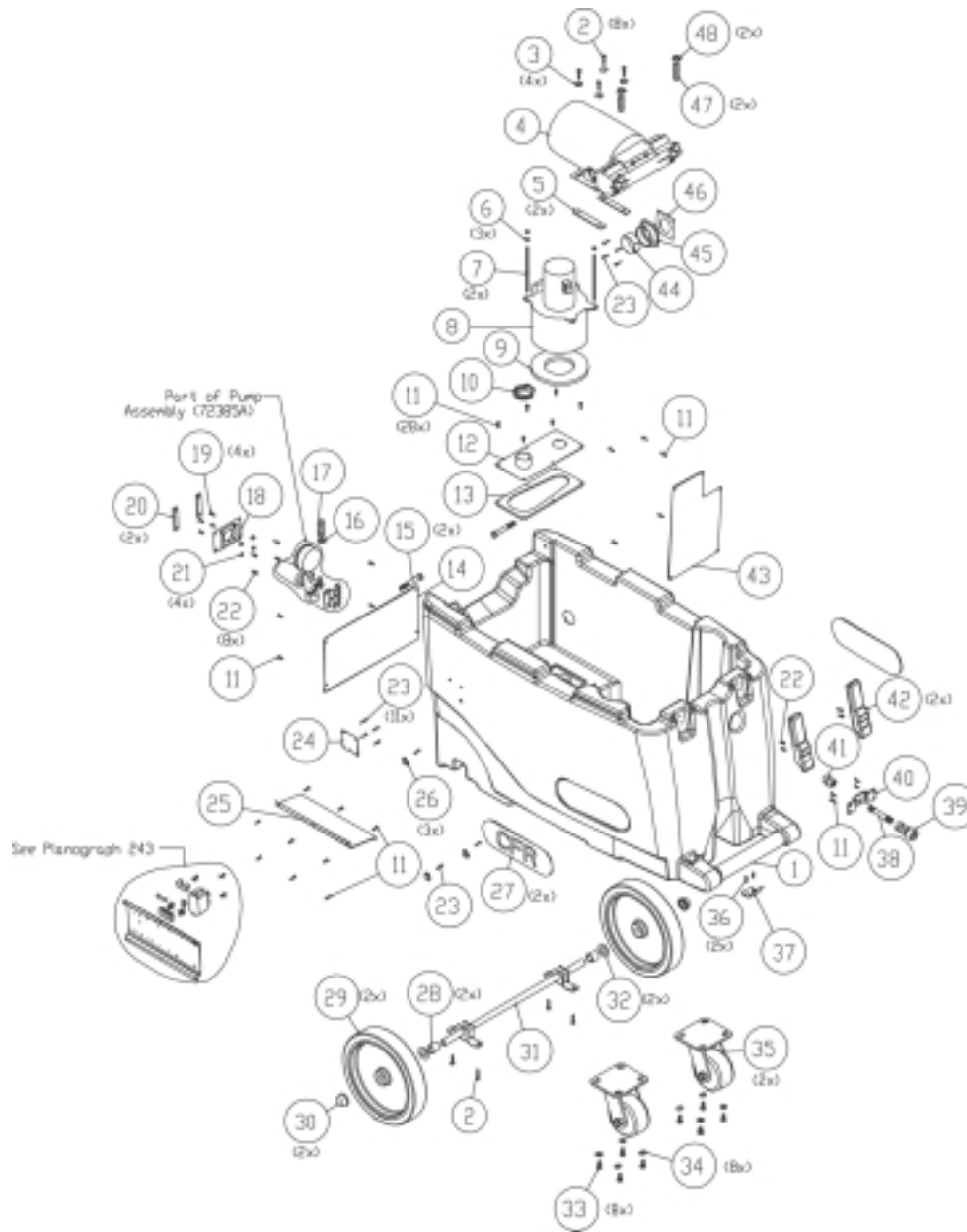
| Ref # | Part # | Description                 | Ref # | Part # | Description                           | Ref # | Part # | Description                   |
|-------|--------|-----------------------------|-------|--------|---------------------------------------|-------|--------|-------------------------------|
| 01    | 72438B | Component Bracket           | 05    | 72387A | Screw, #8 x 5/8", Phil Tap Pan, Black | 08    | 72428A | Fuse, 20A / 32V, P20SP        |
| 02    | 72566A | Motor Control, 125VDC       | 06    | 72434A | Jumper, Tab #6                        | 09    | 72429A | Fuse, 12A / 32V               |
| 03    | 72052A | Screw, #8 X 5/8 Phil Pan TS | 07    | 72433A | Terminal Block 3 Positions            | 10    | 72430A | Fuse Clip                     |
| 04    | 71379A | Relay, 25A, 120V, P20SP     |       |        |                                       | 11    | 72388A | Screw, #10 x 5/8 Phil Tap Pan |

# Base Assembly P20SP



| Ref # | Part # | Description                        | Ref # | Part # | Description                                 | Ref # | Part #  | Description  |
|-------|--------|------------------------------------|-------|--------|---|-------|---------|--|
| 01    | 72504A | Base, Paramount 20                 | 25    | 72499A | Plate, Hole Cover w/ cut-out                | 46    | 7AR013  | Nipple, NPT x 3" L SS                              |
| 02    | 72020A | Screw, Self Tap, PHMS Zinc         | 26    | 72567A | Cover, Relay Bracket                        | 47    | 70063B  | Coupler QD Valved "                                |
| 03    | X8235+ | Washer, Flat USS Zinc              | 27    | 71313A | Screw, 20 x 2 Socket Cap                    | 48    | 72539A  | Bracket, Quick Disconnect                          |
| 04    | 72385A | Pump Assembly                      | 28    | 7BF004 | Nut, Kep 20 Zinc                            | 49    | 7AE003  | Elbow, W/treet NPT                                 |
| 05    | 7GF033 | Pad, Motor Mount                   | 29    | 72559A | Label, Base (CFR)                           | 50    | 7AV001  | Tee Union NPT                                      |
| 06    | 7BF003 | Nut, Kep #10-24 Zinc               | 30    | 72511A | Wheel, 10" Diameter                         | 51    | 72390A  | Latch, Soft  |
| 07    | 72000A | Rod, All Threaded<br>3/16 x 5-1/2  | 31    | 72571A | Bushing, 7/8" Long,<br>Transaxle            | 52    | 72404A  | Cable Short, Tool head                             |
| 08    | 72365A | Vacuum Motor, 3<br>Stage 120V      | 32    | 72586A | Transaxle / Motor,<br>90V, .18HP            | 53    | 72502A  | Support Bracket, Tool Lifting                      |
| 09    | 70020B | Gasket, Vacuum Motor Seal          | 33    | 72453A | Key, Machine 3/16"<br>Square x 1"           | 54    | 72406A  | Pin Clevis, Tool head Cable                        |
| 10    | 7DL005 | Hose Clamp, 1-1/2" SS              | 34    | 72422A | Flat Washer, .325 x<br>1.53 x .08           | 55    | 72467A  | Cotter Pin, 1/16" LG                               |
| 11    | 72388A | Screw, #10 x 5/8 Phil<br>Tap Pan   | 35    | 72602A | Screw, 5/16-24 x 7/8" L<br>Hex SS           | 56    | 72405A  | Cable, Long  |
| 12    | 72538A | Panel, Vacuum Motor                | 36    | 72338C | Plate, Transaxle Mounting                   | 57    | 72403B  | Lifting Plate, Adjustable                          |
| 13    | 72540A | Gasket, Vacuum P-20                | 37    | 7DT001 | Bolt, 5/16-18 x 5/8" Hex<br>Tap Zinc        | 58    | 71639A  | Bolt, 20 x 2-1/2 Hex Tap<br>18-8 SS                |
| 14    | 72535A | Transaxle Cover Plate              | 38    | X8218+ | Washer, 5/16 SAE Flat                       | 59    | 72436A  | Gasket, VAC Exhaust                                |
| 15    | 72379A | Screw, 3/8-16 x 2-3/4<br>Hex Head  | 39    | 72551A | Caster, 4" x 2" Wheel,<br>4-1/2" x 4" Plate | 60    | 7GR032  | Adaptor Flanged 2" White<br>PVC                    |
| 16    | 7DL003 | Clamp Hose                         | 40    | 70100A | Coupler, QD 1/8F                            | 61    | 7GF006  | Gasket, Flanged Short<br>Elbow                     |
| 17    | 71817A | Hose, Braided, 29" Long            | 41    | SW139  | Elbow, 1/8 Street, 90 degree                | 62    | 70079C  | Hose, wire reinforced,<br>44" Long                 |
| 18    | 72372A | Panel, Mounting Regulator          | 42    | 71366A | Hose, Teflon, 1/8" x<br>1/8" x 24"          | 63    | 7DL008  | Clamp Hose, SS                                     |
| 19    | 7BS002 | Screw, 8-32 x .5 Phil Pan SS       | 43    | 7AG002 | Bushing, 1/8 NPT                            | 64    | 72495A  | Label, Paramount Tool                              |
| 20    | 72369A | Pad, Mounting Regulator            | 44    | 71492A | Solenoid, 1/8 Orifice                       | 65    | X8235A+ | Washer, 1" OD, Flat                                |
| 21    | X8256+ | Nut, 8-32 Keps Zinc                | 45    | 7CX002 | Nipple, Hex MPT                             | 66    | 72590A  | Screw, #8 x 5/8" Oval Head,<br>Self-Tapping, Black |
| 22    | 72052A | Screw, #8 X 5/8 Phil Pan TS        |       |        |   | 67    | 72568A  | Wand Holder  |
| 23    | 72561A | Lever, Straight (Magura<br>Handle) |       |        |   | 68    | SW158+  | Cable Clamp  |
| 24    | 7CW002 | Screw, #6 Phil Pan TS              |       |        |   |       |         |  |

# Base Assembly P20

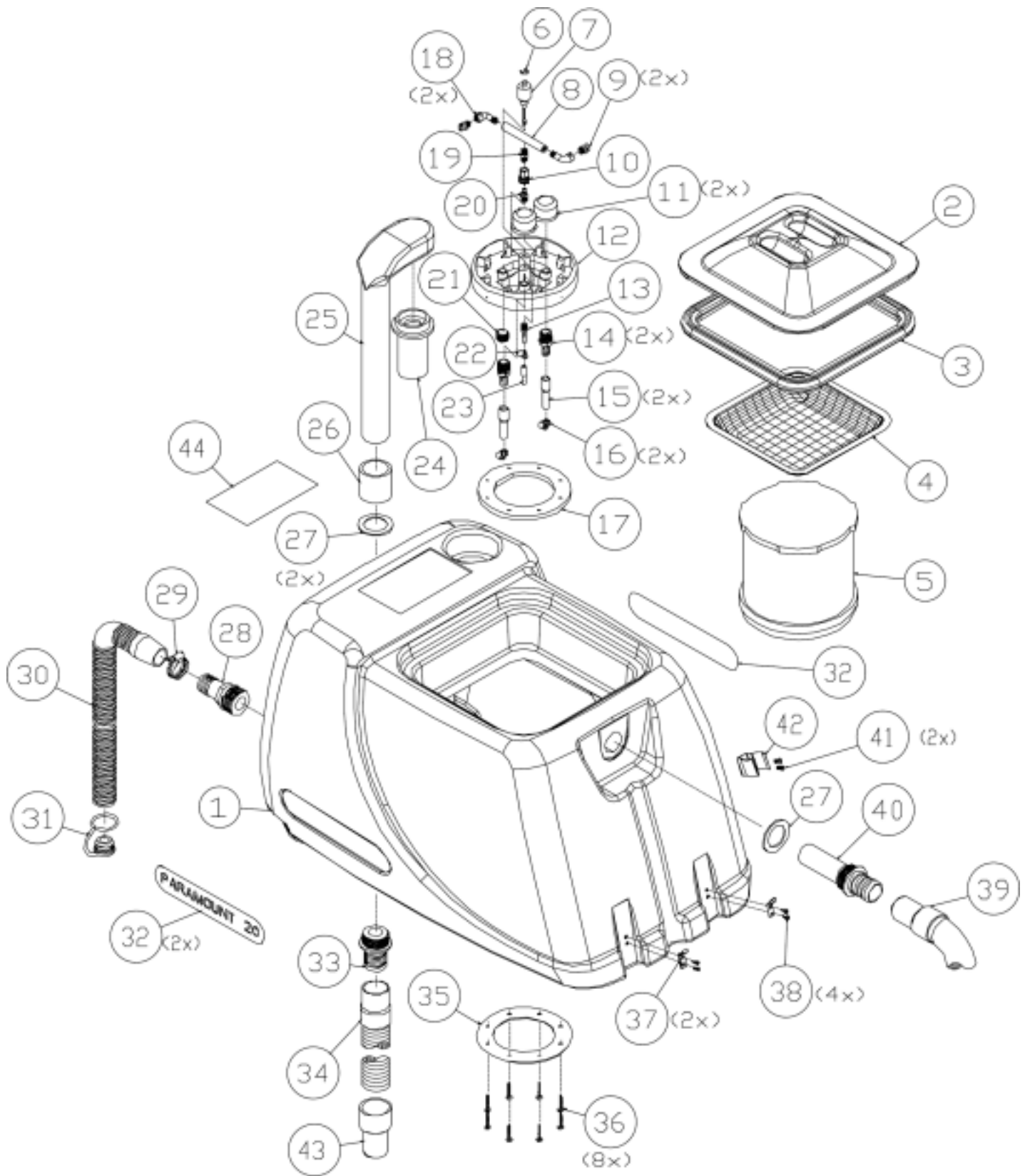


| Ref # | Part # | Description                       |
|-------|--------|-----------------------------------|
| 01    | 72504A | Base, Paramount 20                |
| 02    | 72020A | Screw, Self Tap, PHMS Zinc        |
| 03    | X8235+ | Washer, Flat USS Zinc             |
| 04    | 72385A | Pump Assembly                     |
| 05    | 7GF033 | Pad, Motor Mount                  |
| 06    | 7BF003 | Nut, Kep #10-24 Zinc              |
| 07    | 72000A | Rod, All Threaded<br>3/16 x 5-1/2 |
| 08    | 72365A | Vacuum Motor, 3 Stage<br>120V     |
| 09    | 70020B | Gasket, Vacuum Motor Seal         |
| 10    | 7DL005 | Hose Clamp, 1-1/2" SS             |
| 11    | 72388A | Screw, #10 x 5/8 Phil<br>Tap Pan  |
| 12    | 72538A | Panel, Vacuum Motor               |
| 13    | 72540A | Gasket, Vacuum                    |
| 14    | 72535A | Transaxle Cover Plate             |
| 15    | 72379A | Screw, 3/8-16 x 2-3/4<br>Hex Head |
| 16    | 7DL003 | Clamp Hose                        |

| Ref # | Part # | Description                                  |
|-------|--------|--|
| 17    | 71817A | Hose, Braided, 29" Long                      |
| 18    | 72372A | Panel, Mounting Regulator                    |
| 19    | 7BS002 | Screw, 8-32 Phil Pan SS                      |
| 20    | 72369A | Pad, Mounting Regulator                      |
| 21    | X8256+ | Nut, 8-32 Keps Zinc                          |
| 22    | 72052A | Screw, #8 X 5/8 Phil Pan TS                  |
| 23    | 7CW002 | Screw, #6 Phil Pan TS                        |
| 24    | 72499A | Plate, Hole Cover w/ cut-out                 |
| 25    | 72567A | Cover, Relay Bracket                         |
| 26    | SW158+ | Cable Clamp                                  |
| 27    | 72559A | Label, Base (CFR)                            |
| 28    | 72592A | Bushing, 7/8"                                |
| 29    | 72580A | Wheel, 10" Diameter,<br>Gray Tire, 5/8" Bore |
| 30    | 72597A | Push Nut, 5/8" Plastic, Black                |
| 31    | 72587A | Axle, Paramount 20                           |
| 32    | 71520A | Washer, 5/8" SAE, Flat Zinc                  |
| 33    | 7DT001 | Bolt, 5/16-18 x 5/8" Hex<br>Tap Zinc         |
| 34    | X8218+ | Washer, 5/16 SAE Flat                        |

| Ref # | Part # | Description  |
|-------|--------|--|
| 35    | 72551A | Caster, 4" x 2" Wheel, 4-1/2"<br>x 4" Plate        |
| 36    | 72590A | Screw, #8 x 5/8" Oval Head,<br>Self-Tapping, Black |
| 37    | 72568A | Wand Holder  |
| 38    | 7AR013 | Nipple, NPT x 3" L SS                              |
| 39    | 70063B | Coupler QD Valved "                                |
| 40    | 72539A | Bracket, Quick Disconnect                          |
| 41    | PC38+  | Coupling, Double Thread<br>Female                  |
| 42    | 72390A | Latch, Soft  |
| 43    | 72595A | Cover Plate, Lift Mechanism                        |
| 44    | 72436A | Gasket, VAC Exhaust                                |
| 45    | 7GR032 | Adaptor Flanged 2"<br>White PVC                    |
| 46    | 7GF006 | Gasket, Flanged Short<br>Elbow                     |
| 47    | 70079C | Hose, wire reinforced,<br>44" Long                 |
| 48    | 7DL008 | Clamp Hose   |

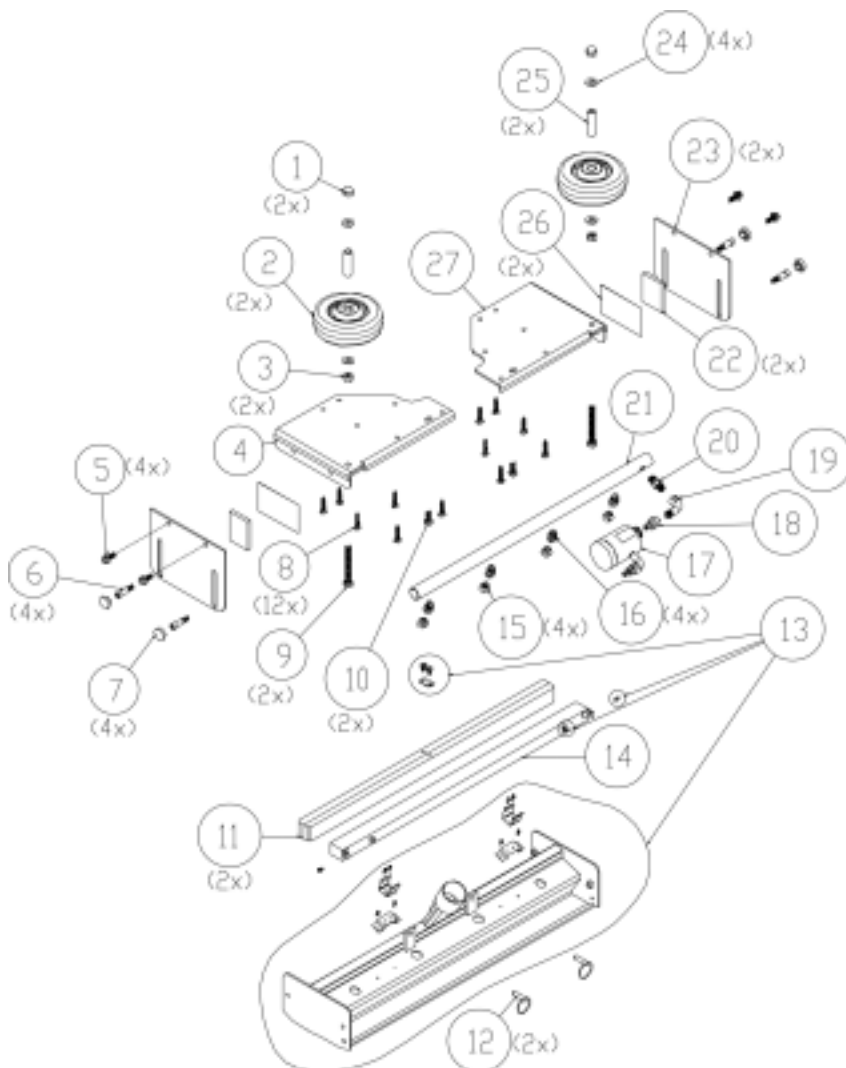
# Tank Assembly



## Tank Assembly

| Ref # | Part # | Description                       | Ref # | Part # | Description                                     | Ref # | Part # | Description                               |
|-------|--------|-----------------------------------|-------|--------|---|-------|--------|---|
| 01    | 72503A | Tank, Paramount 20                | 18    | SW139+ | Elbow, 1/8 Street (90 degree)                   | 33    | PX25   | Fitting, Plastic, 1 NPT x 1 Hose Barb     |
| 02    | 72321A | Lid, Tank                         | 19    | 7CX001 | Nipple Hex 1/8                                  | 34    | 72384A | Hose, VAC Toolhead, 45" cut in half       |
| 03    | 72323B | Gasket, Lid 43"                   | 20    | 71576A | Nipple QD 1/8 M SS                              | 35    | 71920A | Ring Washer                               |
| 04    | 72326A | Filter, Inlet                     | 21    | 7AF003 | Plug, Counter Hex                               | 36    | 71644A | Screw, #10 Phil Pan TS                    |
| 05    | 72224A | Filter, Main                      | 22    | 7DL003 | Hose Clamp,                                     | 37    | 72390A | Latch, Soft (Keeper)                      |
| 06    | 71553A | E-Ring, Float Switch 70143A       | 23    | 71817A | Hose, Braided                                   | 38    | 7DM004 | Screw, 8-32 x 3/8 PHMS SS                 |
| 07    | 70343A | Switch Float 2 Pole               | 24    | PX31   | Float Cage w/ Heavy Ball                        | 39    | 72384B | Hose, toolhead, P20SP                     |
| 08    | 71485A | Header Backflush Nozzle           | 25    | PX33   | Vacuum Tube                                     | 40    | 72409A | Inlet Fitting, P20SP                      |
| 09    | 7DE016 | Nozzle H 1/8 VV CH SS 11001       | 26    | PX63   | Coupler, Plastic, 1 Slip                        | 41    | 71651A | Screw, 10-32 Phil Pan 18-8 SS             |
| 10    | 70100A | Coupler QD 1/8F                   | 27    | PX14A  | Dump Valve Gasket                               | 42    | 72173A | Spring Clip, Black Vinyl Coated           |
| 11    | 71495A | Pump Protection Filter            | 28    | 72476A | Fitting, Nylon Hose Barb, 1-1/4" ID, 1-1/4" NPT | 43    | 72371A | Cuff for 72384A hose, 1-1/2" Black        |
| 12    | 72317A | Filter Mount                      | 29    | 7DL005 | Clamp Worm Gear 1-1/2 SS                        | 44    | 72575A | Label, Instruction P20SP w/ Cleaning Tool |
| 13    | PC66   | Fitting, Brass 1/8 NPTM Hose Barb | 30    | PAS37+ | Drain Hose                                      |       |        |   |
| 14    | PC25+  | Male/Male Barb                    | 31    | PAS36+ | Expansion Plug Drain                            |       |        |   |
| 15    | 70079C | Hose, Wire Reinforced             | 32    | 72543A | Label, Tank (Paramount 20)                      |       |        |   |
| 16    | 7DL008 | Hose Clamp, SS                    |       |        |   |       |        |   |
| 17    | 71897A | Gasket, Filter Mount              |       |        |   |       |        |   |

## Tool Head Assembly



| Ref # | Part # | Description                                   |
|-------|--------|---|
| 01    | 72148A | Nut, Cap 5/16-18 ZP                           |
| 02    | X8025  | Wheel, Black                                  |
| 03    | 7BF005 | Nut, Keps 5/16-18 Zinc                        |
| 04    | 72534A | Tool Head Bracket, Right,                     |
| 05    | 72394A | Screw, 20 x 5/8, Hex Self-Locking Flange      |
| 06    | 72487A | Shoulder Screw, Tool head                     |
| 07    | 72491A | Knob, Knurled Black, 3/4OD, 5/16 Th           |
| 08    | 72020A | Screw, Self-tap PHMS Zinc                     |
| 09    | 72019A | Bolt, 5/16-18 Hex Tap Zinc                    |
| 10    | 7DT002 | Bolt, 20 x 5/8 Hex Tap Zinc                   |
| 11    | 72556A | Weight Bar #2, 20"                            |
| 12    | 72484A | Pin, Quick Release, Toolhead Cable Attachment |
| 13    | 72506A | Tool Head, 20"                                |
| 14    | 72555A | Weight Bar #1, 20"                            |
| 15    | 72489A | Stainless Steel Spray Tip                     |
| 16    | 72488A | Brass Nozzle Body                             |
| 17    | 60400B | Inline Strainer Assembly                      |
| 18    | 70101A | Nipple, QD 1/8-1/8 M Brass                    |
| 19    | SW139  | 1/8 Street Elbow, 90 Degree                   |
| 20    | 72413A | Valve, Check                                  |
| 21    | 72557A | Header, Paramount 20                          |
| 22    | 72437A | Pad, Tool Head                                |
| 23    | 72541A | Tool Head Bracket Sides                       |
| 24    | X8218  | Washer, 5/16 SAE, Flat Zinc                   |
| 25    | 72486A | Spacer, Toolhead Wheel                        |
| 26    | 72485A | Tape, Toolhead Pad                            |
| 27    | 72533A | Tool Head Bracket Left                        |