



Commercial Downdraft™ Fan

**Operator and Parts Manual
Models 10460A and 10461A**

**WARNING: OPERATOR MUST
READ AND UNDERSTAND THIS
MANUAL COMPLETELY BEFORE
OPERATING THIS EQUIPMENT.**



3101 Wichita Court ■ Fort Worth, TX 76140 ■ 800.533.2557 ■ www.CFRcorp.com

IMPORTANT SAFETY INSTRUCTIONS

READ ALL INSTRUCTIONS BEFORE USING THIS APPLIANCE

When using an electrical appliance, basic precautions should always be followed.

WARNING- To reduce the risk of fire, electric shock or injury:

Use only as described in this manual. Use only manufacturer's recommended components and attachments.

Use only indoors. Do not use outdoors or expose to rain.

Do not use with damaged cord or plug. If appliance is not working as it should, has been dropped, damaged, left outdoors, or dropped into water, return it to your Authorized CFR dealer.

Do not pull or carry by cord, use cord as a handle, close door on cord, or pull cord around sharp edges or corners. Keep cord away from heated surfaces.

Do not unplug by pulling on cord. To unplug, grasp the plug, not the cord.

Do not handle plug or appliance with wet hands.

Do not put any object into openings. Do not use with any opening blocked; keep free of dust, hair and anything that may reduce air flow.

Turn off all controls before unplugging.

Do not attempt to service the unit while appliance is plugged in.

Appliance may cause a fire when operating near flammable vapors or materials. Do not operate this machine near flammable fluids, dust or vapors.

Connect to a properly grounded outlet.

Do not use with any solid state speed control device.

This unit is thermally protected.



WARNING

Do not stack dryers more than 4 (four) units high for transport, 5 (five) units high for storage.

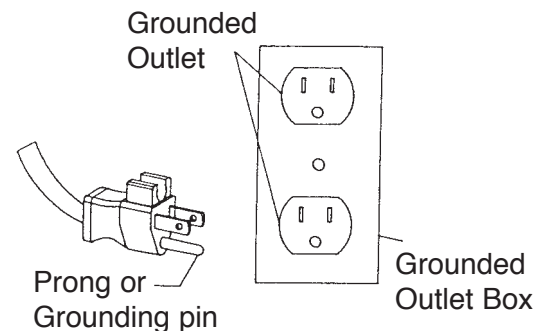
GROUNDING INSTRUCTIONS

This appliance must be grounded. If it should malfunction or break down, grounding provides a path of least resistance for electric current to reduce the risk of electric shock. This appliance is equipped with a cord having an equipment-grounding conductor and grounding plug. The plug must be plugged into an appropriate outlet that is properly installed and grounded in accordance with all local codes and ordinances.

*This appliance is for use on a nominal 120 volt circuit and has a ground plug (see illustration, right). Make sure that the appliance is connected to an outlet having the same configuration as the plug. No adaptor should be used with this appliance.

WARNING - Improper connection of the equipment-grounding conductor can result in a risk of electric shock. Check with a qualified electrician or service person if you are in doubt as to whether the outlet is properly grounded. Do not modify the plug provided with the appliance – if it will not fit the outlet, have a proper outlet installed by a qualified electrician.

*This applies only to North America. Most other countries use 230V circuit.



FOR BEST PERFORMANCE

- Keep machine clean and in good operating condition.
- Have machine checked periodically by your Authorized CFR Dealer.
- Use only authorized service centers for parts or service.
- Store machine carefully in dry area.
- For optimum drying performance and safety, study and follow your operators manual.

OPERATING INSTRUCTIONS

1. Plug in to a standard outlet with the correct voltage and amperage for the unit.
2. Place the dryer in the desired operating position.
3. Set the switch at the desired speed: low or high.
4. Check for proper operation before leaving the unit unattended.
Do not move or carry the dryer when it is running.

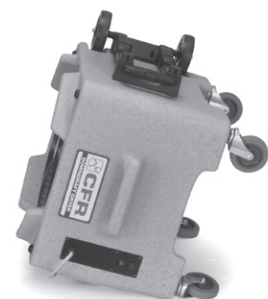
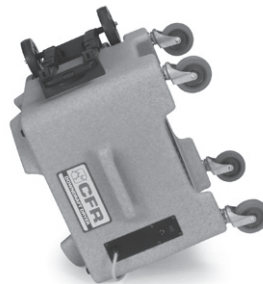
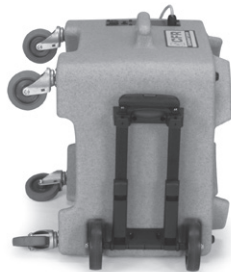
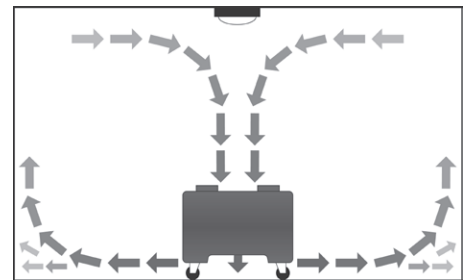
5 AMP Resettable Circuit Breaker

The CFR Downdraft™ features a 5 amp circuit breaker that will “trip” if more than 5 amps of electrical current is drawn through the cord.

Operating Positions

The CFR Downdraft™ is designed to operate in multiple positions for any type of drying.

1. **Face Down** – Set the CFR Downdraft™ on the four caster wheels to direct air straight down. Turn each caster to a 45° angle to the housing for best airflow.
2. **Tilt Back** – Tilt the CFR Downdraft™ backward on the four curved molded legs at an angle to direct air for elevated drying.
3. **Upright** – Set the CFR Downdraft™ square with the handle on the top to direct air across a room.
4. **Tilt Forward** – Tilt the CFR Downdraft™ forward on the “standing legs at an angle to direct airflow along the flow in front of the dryer.
5. **Stack for Storage** – the CFR Downdraft™ interlock and stack for easy storage and transport.



MAINTENANCE/TROUBLE SHOOTING

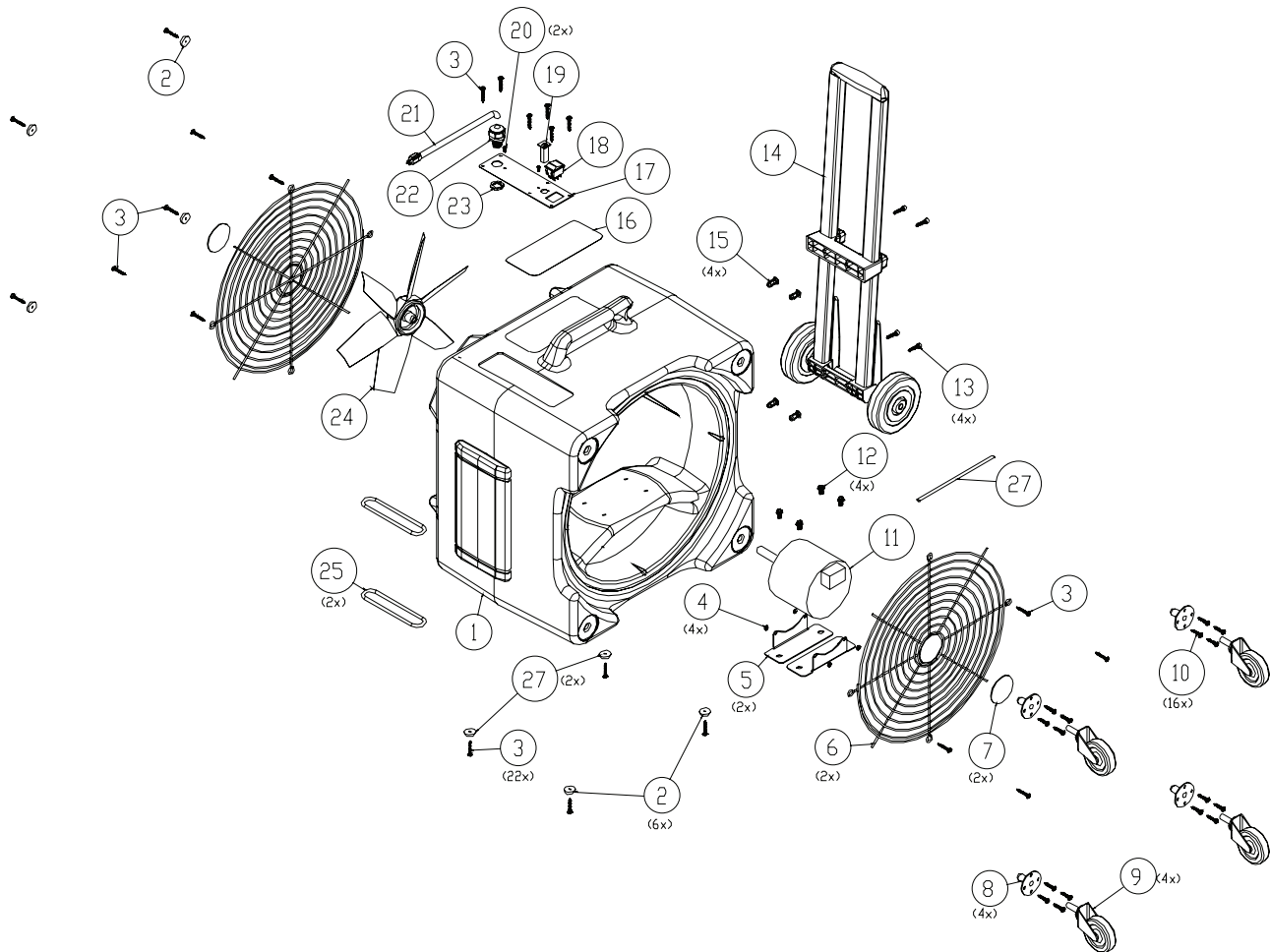
Periodic Maintenance

1. Check power cord for any breaks, separations or cuts.
2. Make sure the ground pin or grounding prong is intact or the machine will be unsafe to operate.

Trouble Shooting (if the dryer will not run)

1. Check electrical cord; is it firmly seated in wall outlet
2. Check if dryer circuit breaker is tripped, reset if necessary.
3. Check to see if building circuit breaker is tripped. If circuit is overloaded, move cord to a different outlet.
4. If using an extension cord, make sure it is in good condition, proper gauge and firmly connected.

ASSEMBLY



ref#	part #	description
01	72735A	Housing, Axial Fan
02	PD3C	Foot, Black Rubber, Short
03	X9098	Screw, #10 x 1", A Point, Pan Head
04	X8260	Nut, 8-32 Lock, w/ Nylon Insert
05	72719A	Bracket, Axial Fan Motor
06	X9183	Grill, Axial Fan
07	72734A	Label, Round (at Grill)
08	X9195	Caster Receiver
09	X9240	Wheel and Socket
10	72020A	Screw, Self-Tap, PHMS, Zinc, #12 x 1"
11	X9181	Motor, 115VAC, .25HP, 4 - Pole
	X9181-2	Motor, 230V, 25HP 4 pole
12	X8209S	Screw, 1/ 4 -20 x 1/ 2", Serrated Hex
13	X9065	Screw, Hex Socket Cap, 1/ 4 -20 x1",
14	X8990N	Handle / Wheel Assembly

ref#	part #	description
15	X8848	Jacknut, 1/ 4 -20, Steel, #8LJN
16	72733A	Label, Product at top, Axial Fan
17	72721B	Switch Panel
18	X9048	Switch rocker
19	X9262	Circuit Breaker, 5A
20	X9188	Screw, 6-32 x 3/8" Black MS
21	X8926	20' HD, 3-wire Cord, 16/3 SJTW, 115 Volts
	71912A	Cord 14/3 35' Black w/ Euro Plug.
22	PD8	Strain Relief, 1 / 2" NPT
23	X8008N	nut, Lock, 1/ 2" Steel Conduit
24	X9182-6	Fan Blade Assembly
25	F631	Round Belt
26	72470A	Heat Shrink, Blk, 1/ 2" x 200', Flexible Polyolefin
27	PD3B	Foot, Black Rubber, Tall

CFR LIMITED WARRANTY

CFR will repair or exchange parts for your dryer in the event of a manufacturing defect as follows:

PARTS: New or comparable rebuilt parts, for one year after original purchase.

LABOR: Carry-in service can be obtained during the warranty period by taking your dryer to an Authorized CFR Warranty Service Center.

IMPORTANT WARRANTY CONDITIONS: A purchase receipt or other proof of date of original consumer purchase also will be required before warranty service is rendered.

This warranty covers normal use and does not cover damage which occurs in shipment or failure resulting from alteration, accident, misuse, abuse, neglect, or improper maintenance.

STATEMENT: This warranty is not transferable and extends only to the original purchaser when a new CFR dryer is purchased from an Authorized CFR Dealer. This warranty gives you specific legal rights, and you may have other rights that vary from state to state.

A Tacony Company, Fort Worth, Texas 76140-1710, Call Toll-Free (800) 533-2557